



KONICA MINOLTA

bizhub C651i

bizhub C551i

bizhub C451i

Full Color Printer/Copier/Scanner



bizhub
C651i / C551i / C451i
SPECIFICATION
& INSTALLATION GUIDE
RETHINK IT



Giving Shape to Ideas

Table of Contents

| | |
|-------------------------------|----|
| Specifications | 3 |
| Duty Cycle | 5 |
| Environmental Requirements | 6 |
| Basic Configuration | 6 |
| Space Requirements | 7 |
| Accessories | 8 |
| Mixed Original Support | 31 |
| Standard Paper Tray Support | 31 |
| Print Controller (Standard) | 31 |
| Network Functions | 32 |
| Print Drivers | 32 |
| Scanning Function | 33 |
| Software Tools | 33 |
| Security | 34 |
| Paper Considerations | 35 |
| Paper Weight Conversion Chart | 35 |
| Paper Type Specifications | 36 |
| Recommended Paper Stocks | 38 |
| How to Build a System | 40 |
| Accessory Options | 42 |



bizhub C651i/C551i/C451i SPECIFICATIONS

| | |
|-------------------|---|
| TYPE | FULL COLOR PRINTER/COPIER SCANNER |
| Document Holder | Stationary (mirror scanning) |
| Photoconductor | OPC |
| Luminous Source | LED light-source illumination |
| Copying System | Laser electrostatic copy method |
| Developing System | Dry-2 component developing method |
| Resolution | Scanning: 600 x 600 dpi Printing: 1200 x 1200 dpi |
| Document Holder | Types: Sheets, books (2-page spreads), three-dimensional objects Size: Maximum 11" x 17" Weight: 4.5 lb. |
| Paper | Thin Paper (14 lb. to 15.5 lb.)* Plain Paper (16 lb. to 24 lb.) Plain Paper+ (24.25 lb. to 28 lb.) Thick Paper 1 (28.25 lb. to 32 lb.) Thick Paper 1+ (32.25 lb. to 41.75 lb.) Thick Paper 2 (42 lb. to 55.5 lb.) Thick Paper 3 (55.75 lb. to 68 lb.) Thick Paper 4 (68.25 lb. to 79.75 lb.)** Recycled Paper (16 lb. to 24 lb.) Special Paper (16 lb. to 24 lb.) Letterhead (16 lb. to 24 lb.) Color Paper (16 lb. to 24 lb.) 1-Sided Special Paper (16 lb. to 24 lb.) Banner Paper** (34 lb. to 55.5 lb.) OHP Transparencies**, envelopes***, label sheets**, tabs**, postcards** * Cannot be fed through the bypass tray. ** Can only be fed through the bypass tray; Monochrome copying/printing on transparencies is supported. *** Up to 10 envelopes can be fed from the Bypass Tray. Up to 70 envelopes can be fed from the 1st Tray. |
| Copy Sizes | 1st Tray: 11" x 17" to 8.5" x 11", 5.5" x 8.5", 8" x 13", envelopes* 2nd Tray: 12.25" x 18" to 8.5" x 11", 5.5" x 8.5", 8" x 13"* Bypass Tray: 12" x 18" to 5.5" x 8.5", 12.25" x 18", 4" x 6", 8" x 13"*, Banner Paper * There are six Foolscap sizes: 220 x 330 mm (L), 8.5" x 13.5", 8.5" x 13" (L), 8.25" x 13 (L), 8.12" x 13.25" (L) and 8" x 13" (L). Any one of these sizes can be selected. For details, please consult with your authorized Konica Minolta Service representative. |

bizhub C651i/C551i/C451i SPECIFICATIONS

| DESCRIPTION | DESCRIPTION | | | | | | | | | | | | | | | | | | | | | | | | | | | | | | | | | | | | | | | | | | | | | | | | | | | | | | | | |
|---|--|-------|-------|-------|-------|-----------|----|----|----|------------|----|----|----|-------------|----|----|----|-------------|----|----|----|--------------|----|----|----|-----------|----|----|----|------|-------|-------|-------|-----------|----|----|----|------------|----|----|----|-------------|----|----|----|-------------|----|----|----|--------------|----|----|----|-----------|----|----|----|
| Paper Tray Capacity | 1 st Tray and 2 nd Tray: Thin Paper/Plain Paper/Recycled Paper/ Special Paper/Letterhead/Color Paper/ 1-Sided Special Paper: 500 sheets; Thick Paper 1/1+/2/3: 150 sheets; Envelopes: 70 (1st Tray only) | | | | | | | | | | | | | | | | | | | | | | | | | | | | | | | | | | | | | | | | | | | | | | | | | | | | | | | | |
| | Bypass Tray: Plain Paper/Recycled Paper/Special Paper/Letterhead/Color Paper/1-Sided Special Paper: 150 sheets; Thick Paper 1/1+/2/3/4/OHP Transparencies/Postcards/ Tabs: 20 sheets; Envelopes: 10; Banner Paper/Label Sheets: 10 sheets | | | | | | | | | | | | | | | | | | | | | | | | | | | | | | | | | | | | | | | | | | | | | | | | | | | | | | | | |
| Copy Exit Tray Capacity | Thin Paper: 100 sheets Plain Paper: 250 sheets Thick Paper: 10 sheets Overhead Projection Transparencies*: 1 sheet * Can only be fed through the bypass tray; Monochrome copying/printing on transparencies is supported. Color copying printing on transparencies is NOT supported. | | | | | | | | | | | | | | | | | | | | | | | | | | | | | | | | | | | | | | | | | | | | | | | | | | | | | | | | |
| Warm-Up Time | Color and B & W less than 13 seconds (at room temperature/73° F) | | | | | | | | | | | | | | | | | | | | | | | | | | | | | | | | | | | | | | | | | | | | | | | | | | | | | | | | |
| Image Loss Width | Leading edge: 0.166" Trailing edge: 0.118" Rear edge: 0.118" Front edge: 0.118" | | | | | | | | | | | | | | | | | | | | | | | | | | | | | | | | | | | | | | | | | | | | | | | | | | | | | | | | |
| First Copy | C651i: Color: 3.8 sec. or less B&W: 2.8 sec. or less C551i: Color: 4.3 sec. or less B&W: 3.3 sec. or less C451i: Color: 5.0 sec. or less B&W: 3.8 sec. or less | | | | | | | | | | | | | | | | | | | | | | | | | | | | | | | | | | | | | | | | | | | | | | | | | | | | | | | | |
| Print Speed* (Full Color/B & W) (Simplex/Duplex) | bizhub C651i: Plain paper: 65/65 sheets/min. Thick 1/Thick 1+/Thick 2/Thick 3/Thick 4: 27/30 sheets/min. bizhub C551i: Plain paper: 55/55 sheets/min. Thick 1/Thick 1+/Thick 2/Thick 3/Thick 4: 27/27 sheets/min. bizhub C451i: Plain paper: 45/45 sheets/min. Thick 1/Thick 1+/Thick 2/Thick 3/Thick 4: 23/23 sheets/min. | | | | | | | | | | | | | | | | | | | | | | | | | | | | | | | | | | | | | | | | | | | | | | | | | | | | | | | | |
| Print Speed (ppm)* | Color/B&W (single sided/plain paper): <table border="1"> <thead> <tr> <th>Size</th> <th>C651i</th> <th>C551i</th> <th>C451i</th> </tr> </thead> <tbody> <tr> <td>11" x 17"</td> <td>33</td> <td>27</td> <td>22</td> </tr> <tr> <td>8.5" x 14"</td> <td>37</td> <td>31</td> <td>25</td> </tr> <tr> <td>8.5" x 11"P</td> <td>65</td> <td>55</td> <td>45</td> </tr> <tr> <td>8.5" x 11"L</td> <td>47</td> <td>40</td> <td>33</td> </tr> <tr> <td>5.5" x 8.5"L</td> <td>65</td> <td>55</td> <td>45</td> </tr> <tr> <td>8" x 13"L</td> <td>37</td> <td>31</td> <td>25</td> </tr> </tbody> </table> *Using 1st Tray Color/B&W (double sided/plain paper): <table border="1"> <thead> <tr> <th>Size</th> <th>C651i</th> <th>C551i</th> <th>C451i</th> </tr> </thead> <tbody> <tr> <td>11" x 17"</td> <td>33</td> <td>27</td> <td>22</td> </tr> <tr> <td>8.5" x 14"</td> <td>37</td> <td>31</td> <td>25</td> </tr> <tr> <td>8.5" x 11"P</td> <td>65</td> <td>55</td> <td>45</td> </tr> <tr> <td>8.5" x 11"L</td> <td>45</td> <td>37</td> <td>31</td> </tr> <tr> <td>5.5" x 8.5"L</td> <td>65</td> <td>55</td> <td>45</td> </tr> <tr> <td>8" x 13"L</td> <td>37</td> <td>31</td> <td>25</td> </tr> </tbody> </table> *Using 1st Tray | Size | C651i | C551i | C451i | 11" x 17" | 33 | 27 | 22 | 8.5" x 14" | 37 | 31 | 25 | 8.5" x 11"P | 65 | 55 | 45 | 8.5" x 11"L | 47 | 40 | 33 | 5.5" x 8.5"L | 65 | 55 | 45 | 8" x 13"L | 37 | 31 | 25 | Size | C651i | C551i | C451i | 11" x 17" | 33 | 27 | 22 | 8.5" x 14" | 37 | 31 | 25 | 8.5" x 11"P | 65 | 55 | 45 | 8.5" x 11"L | 45 | 37 | 31 | 5.5" x 8.5"L | 65 | 55 | 45 | 8" x 13"L | 37 | 31 | 25 |
| Size | C651i | C551i | C451i | | | | | | | | | | | | | | | | | | | | | | | | | | | | | | | | | | | | | | | | | | | | | | | | | | | | | | |
| 11" x 17" | 33 | 27 | 22 | | | | | | | | | | | | | | | | | | | | | | | | | | | | | | | | | | | | | | | | | | | | | | | | | | | | | | |
| 8.5" x 14" | 37 | 31 | 25 | | | | | | | | | | | | | | | | | | | | | | | | | | | | | | | | | | | | | | | | | | | | | | | | | | | | | | |
| 8.5" x 11"P | 65 | 55 | 45 | | | | | | | | | | | | | | | | | | | | | | | | | | | | | | | | | | | | | | | | | | | | | | | | | | | | | | |
| 8.5" x 11"L | 47 | 40 | 33 | | | | | | | | | | | | | | | | | | | | | | | | | | | | | | | | | | | | | | | | | | | | | | | | | | | | | | |
| 5.5" x 8.5"L | 65 | 55 | 45 | | | | | | | | | | | | | | | | | | | | | | | | | | | | | | | | | | | | | | | | | | | | | | | | | | | | | | |
| 8" x 13"L | 37 | 31 | 25 | | | | | | | | | | | | | | | | | | | | | | | | | | | | | | | | | | | | | | | | | | | | | | | | | | | | | | |
| Size | C651i | C551i | C451i | | | | | | | | | | | | | | | | | | | | | | | | | | | | | | | | | | | | | | | | | | | | | | | | | | | | | | |
| 11" x 17" | 33 | 27 | 22 | | | | | | | | | | | | | | | | | | | | | | | | | | | | | | | | | | | | | | | | | | | | | | | | | | | | | | |
| 8.5" x 14" | 37 | 31 | 25 | | | | | | | | | | | | | | | | | | | | | | | | | | | | | | | | | | | | | | | | | | | | | | | | | | | | | | |
| 8.5" x 11"P | 65 | 55 | 45 | | | | | | | | | | | | | | | | | | | | | | | | | | | | | | | | | | | | | | | | | | | | | | | | | | | | | | |
| 8.5" x 11"L | 45 | 37 | 31 | | | | | | | | | | | | | | | | | | | | | | | | | | | | | | | | | | | | | | | | | | | | | | | | | | | | | | |
| 5.5" x 8.5"L | 65 | 55 | 45 | | | | | | | | | | | | | | | | | | | | | | | | | | | | | | | | | | | | | | | | | | | | | | | | | | | | | | |
| 8" x 13"L | 37 | 31 | 25 | | | | | | | | | | | | | | | | | | | | | | | | | | | | | | | | | | | | | | | | | | | | | | | | | | | | | | |
| Magnification Ratios (Preset) | 1.0 (full size: 1.00 ± 0.5% or less) Enlarge: 121.4%, 129.4%, 154.5%, 200% Reduce: 78.5%, 73.3%, 64.7%, 50.0% Minimal: 93% Stored Zoom Ratios: 3 "Minimal" zoom ratio (90% to 99.9%) | | | | | | | | | | | | | | | | | | | | | | | | | | | | | | | | | | | | | | | | | | | | | | | | | | | | | | | | |

bizhub C651i/C551i/C451i SPECIFICATIONS

| | |
|---------------------------------|---|
| TYPE | PRINTER/COPIER/SCANNER |
| Multiple Copies | 1 to 9,999 sheets |
| Density Control | Copy Density: Manual Density Adjustment (9 Levels) Background Density: Automatic and Manual Density Adjustments (9 levels) |
| Power Requirements | 120V, 12 A, 60 Hz. |
| Power Consumption | 1.6 kW or less |
| TEC Value | C651i: 8.10 kWh or less C551i: 5.60 kWh or less C451i: 3.80 kWh or less |
| Dimensions (with control panel) | 24.2" (W) x 27.1" (D) x 47.5" (H) |
| Space requirements* | 36.9" (W) x 52.9" (D) x 61.4" (H) |
| Memory | 8 GB (Std.) |
| Solid State Drive | 256 GB (Std.) |
| Weight | Approx. 220 lb. |

* The indicated space requirements represent the space required to pull out the paper tray and the tray extension of the bypass tray and with the DSDf open.

DUTY CYCLE

| | |
|--------------------------|---|
| bizhub C651i/C551i/C451i | C651i: Up to 300,000. |
| | C551i: Up to 250,000. |
| | C451i: Up to 200,000 |
| | Maximum monthly copy/print volume supported under standard vendor supplied service. Defines the upper end of the expected customer volume for the device. Customers should consider multiple machines if average monthly volume approaches duty cycle on continual basis. |



ENVIRONMENTAL REQUIREMENTS

| TYPE | DESCRIPTION |
|--|--|
| Temperature | 50° F to 86° F |
| Humidity | 15% to 85% |
| Noise During Operation (when configured with compatible Finisher) | C651i: 75.0 dB/71.8dB C551i: 75.0/70.0dB C451i: 74.7/68.5 dB |
| Noise During Feeder Operation | C651i: 72.2 dB or less C551i: 70.8 dB or less C451i: 69.3 dB or less |
| Noise During Standby | 32 dB or less |
| Ozone Emission | Color: 3.0 mg/h B & W: 1.5 mg/h |

ELECTRICAL REQUIREMENTS

| TYPE | DESCRIPTION |
|---------------|-------------------|
| Line Options | Dedicated |
| Voltage | 110 V/120 to 127V |
| Amperage | 12A |
| Cycles | 60Hz |
| NEMA Part No. | 5-15R |
| Cord Length | 6.6 ft. |

NEMA Diagram for 5-15R

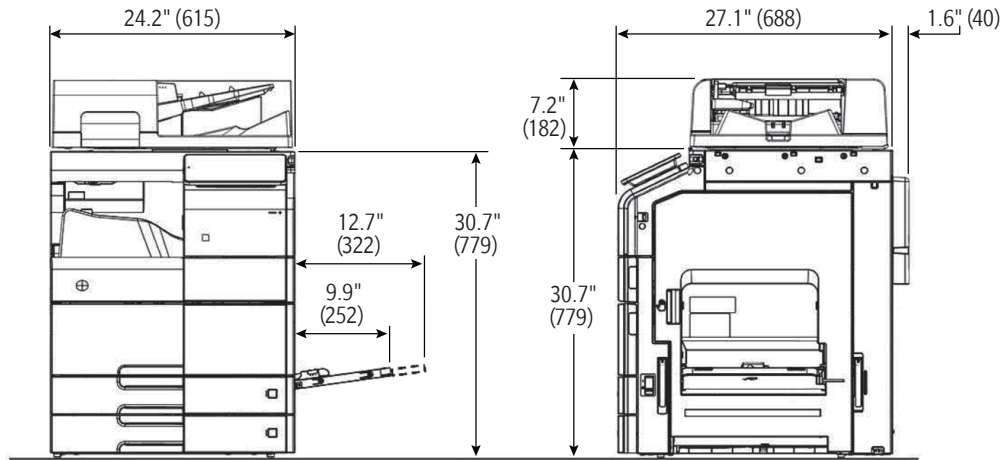


Note: The main electrical outlet must be located within 6.6 feet from the right rear corner of the bizhub C651i/C551i/C451i main unit.

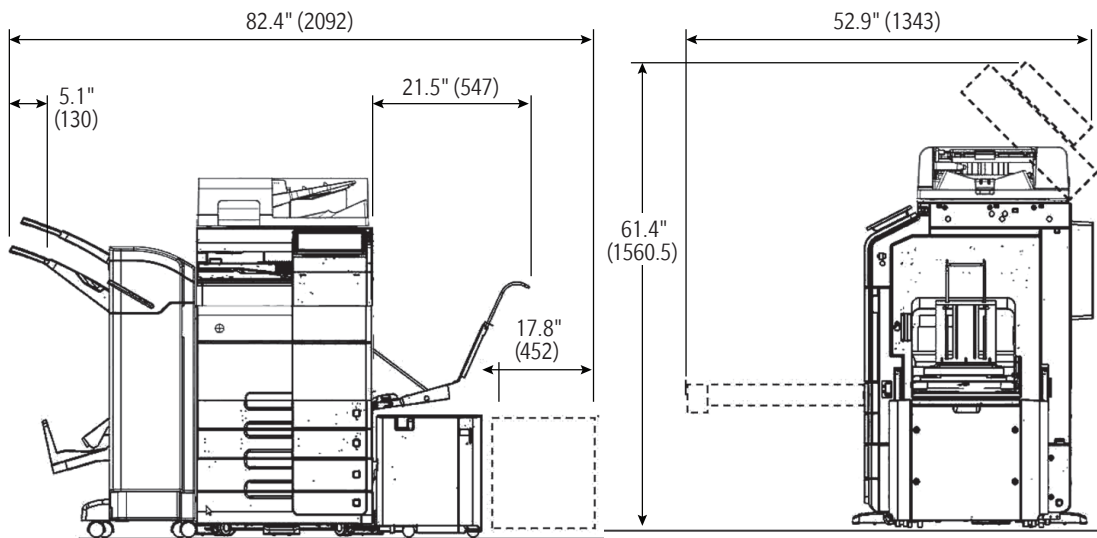
SAMPLE CONFIGURATION



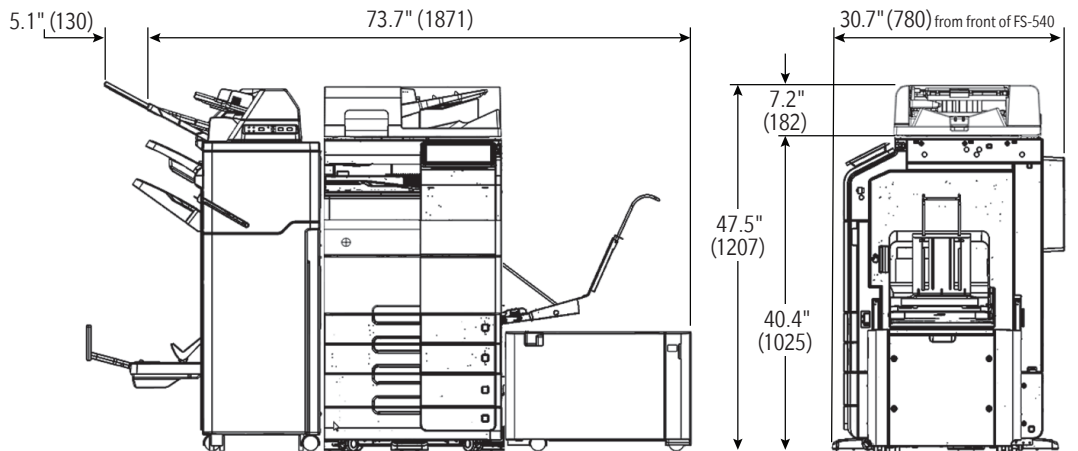
SPACE REQUIREMENTS



bizhub C651i/C551i/C451i



bizhub C651i/C551i/C451i + FS-539 + LU-302



bizhub C651i/C551i/C451i + LU-207 + FS-540

ACCESSORIES

AUTOMATIC DUPLEX UNIT (STANDARD)



| | |
|-----------------------------|--|
| Supported Paper Type | Thin Paper (14 lb. to 15.5 lb.) Plain Paper (16 lb. to 24 lb.) Plain Paper+ (24.25 lb. to 28 lb.) Thick Paper 1 (28.25 lb. to 32 lb.) Thick Paper 1+ (32.25 lb. to 41.75 lb.) Thick Paper 2 (42 lb. to 55.5 lb.) Thick Paper 3 (55.75 lb. to 68 lb.) Recycled Paper (16 lb. to 24 lb.) Special Paper (16 lb. to 24 lb.) Letterhead (16 lb. to 24 lb.) Color Paper (16 lb. to 24 lb.) |
| Supported Paper Size | 12.25" x 18" to 5.5" x 8.5"; 4" x 6"; SRA3; 8" x 13"; Custom: (W) 3.9" to 12.625" x (L) 5.8" to 18" |
| Power Requirements | Supplied from main unit * There are six Foolscap sizes: 220 x 330 mm (L), 8.5" x 13.5", 8.5" x 13" (L), 8.25" x 13 (L), 8.12" x 13.25" (L) and 8" x 13" (L). Any one of these sizes can be selected. For details, please consult with your authorized Konica Minolta Service representative. |

OC-511 (ORIGINAL COVER)



| | |
|-------------|-----------------------------|
| Type | Original Cover/Platen Cover |
|-------------|-----------------------------|

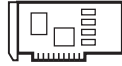
DF-713 DUAL SCANNER DOCUMENT FEEDER (STANDARD)



| | |
|-------------------------------|--|
| Type | Single Pass Duplex Document Feeder |
| Supported Paper Size | 1-Sided/2-Sided Originals/Mixed Originals: 11" x 17"L to 5.5" x 8.5"P |
| Supported Paper Weight | Single-Sided/Double-Sided: 9.25 lb. bond to 44 lb. bond Mixed Original: 13.5 lb. bond to 34 lb. bond 1-Sided Thin Paper (9.25 lb. to 13.063 lb.) 1-Sided Plain Paper (13.25 lb. to 44 lb.) 2-Sided Plain Paper (13.25 lb. to 44 lb.) Mixed Original Plain Paper (13.25 lb. to 34 lb.) |
| Paper Capacity | Max. 300 sheets (21.25 lb.)(Single-Sided/Double-Sided Originals) |
| Scan Speed | 140 images/min (one-sided @ 200 dpi) (B & W/Color) 280 images/min (double-sided @ 200 dpi) (B & W/Color) 120 images/min (one-sided @ 300 dpi) (B & W/Color) 240 images/min (double-sided @ 300 dpi) (B & W/Color) 80 images/min (one-sided @ 600 dpi) (B & W/Color) 160 images/min (double-sided @ 600 dpi) (B & W/Color) |
| Power Requirements | Supplied from main unit. |
| Max. Power Consumption | 104.5 W or less |
| Dimensions (W x D x H) | 24.2" x 20.1" x 7.0" |
| Weight | Approximately 33 lb. |

ACCESSORIES

FK-514 FAX KIT

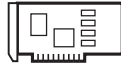


| | |
|--------------------------------------|---|
| Number of Stored Pages | 10,000 Pages (approx. 700 characters per page when 8.5" x 11" document is stored using fine resolution) |
| Number of Fax Lines | 1 Fax Line (Standard); Add second FK-514 Fax Kit for dual line fax capabilities (Supports Fax Line 1 & 2); See FK-515 for Lines 3 & 4) |
| Communication | ECM/Super G3 |
| Compatible Lines | PSTN, PBX |
| Scanning Line Density | Ultra Fine: 600 x 600 dpi Super Fine: 16 dot/mm x 15.4 line/mm, 400 x 400 dpi Fine: 8 dot/mm x 7.7 line/mm, 200 x 200 dpi Normal: 8 dot/mm x 3.85 line/mm |
| Modem Speed | 2.4 kbps-33.6 kbps |
| Compression | MH/MR/MMR/JBIG |
| Scanning/(Sending) Paper Size | Original Glass: Max. 11" x 17" ADF: 11" x 39" (Normal, Fine, Super Fine) 11" x 17" (Ultra Fine, Manual TX) |
| Recording Paper Size | 11" x 17" to 5.5" x 8.5" |
| Transmission Speed | Less than 2 sec. (A4, V.34, 33.6 Kbps, JBIG) |
| Scan Speed | 2 sec. (Letter/Fine Mode) |
| Number of Abbr. Dial | 2,000 |
| Number of Program Dial | 400 |
| Number of Group Dial | 100 (Up to 500 destinations per group) |
| Sequential Multiple | Max. 600 |
| Transmitting Functions | Station Transmission 2-in-1 TX, Mixed Original, F-Code Transmission, Frame Erase Transmission, Sharpness, Header/Footer, Memory Transmission, Quick Memory Transmission, Timer Transmission, Incomplete Transmission Hold, Manual Transmission, Confidential Transmission, Password Transmission, Polling Transmission, Bulletin Function, Relay Transmission, Fax Forwarding Function, Overseas TX, V.34 OFF, ECM OFF |
| Receiving Functions | Duplex Print (RX), Manual Reception, Confidential Reception, Memory Reception, Polling Reception, Bulletin Function, Fax Forwarding (to any destination stored in the Address Book), TSI Routing (to any destination stored in the Address Book). |



ACCESSORIES

FK-515 FAX KIT



| | |
|---|---|
| Number of Stored Pages | 10,000 Pages (including all Scan/Box/Printer/Fax Documents) |
| Number of Fax Lines | Add 1st FK-515 for 3rd Fax Line (Optional); Add 2nd FK-515 for 4th Fax Line (Optional); Must add two FK-514 Fax Kits first for single and dual line capabilities before you can add lines 3 and 4. FK-515 requires MK-742 Mount Kit (only one MK-742 Mount Kit required) |
| Communication | ECM/Super G3 |
| Compatible Lines | PSTN, PBX |
| Scanning Line Density | Ultra Fine: 600 x 600 dpi Super Fine: 16 dot/mm x 15.4 lines/mm, 400 x 400 dpi Fine: 8 dot/mm x 7.7 lines/mm, 200 x 200 dpi Normal: 8 dot mm x 3.85 lines, 100 x 100 dpi |
| Modem Speed | 2.4kbps-33.6kbps |
| Compression | MH/MR/MMR/JBIG |
| Scanning (Sending) Paper Size | Original Glass: Max. 11" x 17" ADF: 11" x 39" (Standard, Fine, Super Fine) 11" x 17" (Standard, Fine, Super Fine) |
| Recording Paper Size | 11" x 17" to 5.5" x 8.5" |
| Transmission Speed | Less than 2 sec. (V.34, JBIG) |
| Scan Speed | 1 sec. (Letter/Fine Mode) |
| Number of Abbr. Dial | 2,000 |
| Number of Program Dial | 400 |
| Number of Group Dial | 100 (Up to 500 destinations per group) |
| Sequential Multiple Station Transmission | Max. 600 605 (500 Abbreviated Dials + 100 Manual Dials + 5 Manual Email Addresses) |
| Transmitting Functions | Mixed Original, F-Code Transmission, Frame Erase Transmission, Sharpness, Header/ Footer, Memory Transmission, Quick Memory Transmission, Timer Transmission, Incomplete Transmission Hold, Manual Transmission, Confidential Transmission, Password Transmission, Polling Transmission, Bulletin Function, Fax Forwarding Function, Overseas TX, V.34 OFF, ECM OFF |
| Receiving Functions | Duplex Print (RX), Manual Reception, Confidential Reception, Memory Reception, Polling Reception, Bulletin Function, Fax Forwarding (to any destination stored in the Address Book), TSI Routing (to any destination stored in the Address Book.) |



ACCESSORIES

FS-540 STAPLE FINISHER* (100 SHEETS) *NOTE: INSTALLATION OF THE FS-540 OR FS-540SD REQUIRES THE RELAY UNIT THAT IS APPROPRIATE FOR THE ENGINE



| | |
|------------------------------|---|
| Type | Staple Finisher with manual staple function |
| Supported Paper Types | <p>Output Tray 1 and Output Tray 2: First Tray: 200 sheets/Second Tray: 3,000 sheets (14 lb. to 24 lb.)</p> <p>1st Tray: Thin Paper: 200 sheets (14 lb. to 15 lb.) Plain Paper: 200 sheets (16 lb. to 24 lb.) Recycled Paper: 200 sheets (16 lb. to 24 lb.) Thick Paper (24.25 lb. to 79.75 lb.) 20 sheets OHP Transparency, Postcard, Envelope, Labels, Letterhead, Tabs: 20 sheets</p> <p>2nd Tray - Group/Sort Mode: 3,000 sheets (8.5" x 11" or less); 1,500 sheets (8.5" x 14" or more); 500 sheets (5.5" x 8.5" or more) Thin Paper: 3,000 sheets (14 lb. to 15 lb., 8.5" x 11" or less) Plain Paper: 3,000 sheets (16 lb. to 24 lb., 8.5" x 11" or less) Recycled Paper: 3,000 sheets (15 lb. to 24 lb., 8.5" x 11" or less) Thick Paper: 20 sheets (24.188 lb. to 79.75 lb.) OHP Transparency, Postcard, Envelope, Labels, Letterhead, Tabs: 20 sheets</p> <p>2nd Tray - Offset Group/Offset Sort Mode: 3,000 sheets (8.5" x 11"); 1,500 sheets (8.5" x 14"); 500 sheets (B5 or less) Plain Paper (14 lb. to 24 lb.) Recycled Paper (14 lb. to 24 lb.) Thick Paper (24.25 lb. to 79.75 lb.) 20 sheets Staple: Thin Paper (14 lb. to 15 lb.) Plain Paper (16 lb. to 24 lb.) Recycled Paper (15 lb. to 24 lb.)</p> |

| | | | | | |
|---------------------------|------------------|------------|---------------------------|------------------|------------|
| 8.5" x 11", A4 or less | 2 to 9 sheets | 200 Copies | 8.5" x 14", B4 or more | 2 to 9 sheets | 100 Copies |
| | 10 to 20 sheets | 50 Copies | | 10 to 20 sheets | 50 Copies |
| | 21 to 30 sheets | 30 Copies | | 21 to 30 sheets | 30 Copies |
| | 31 to 40 sheets | 25 Copies | | 31 to 40 sheets | 25 Copies |
| | 41 to 50 sheets | 20 Copies | | 41 to 50 sheets | 20 Copies |
| | 51 to 60 sheets | 15 Copies | | 51 to 60 sheets | 15 Copies |
| | 61 to 100 sheets | 10 Copies | | 61 to 100 sheets | 10 Copies |

ACCESSORIES

FS-540 STAPLE FINISHER (CONT)

| | |
|-------------------------------|--|
| Supported Paper Sizes | <p>Output Tray 1: 12.25" x 18"¹, 11" x 17" L to 5.5" x 8.5", 4" x 6", SRA3L Width: 3.5" to 12.60"; Length: 5.5" to 47.25"</p> <p>Output Tray 2: 12.25" x 18", 11" x 17" L to 7.25" to 10.5" L/P, SRA3L Width: 5.12" to 12.60"; Length: 5.50" to 18"</p> <p>^{*1} 12.25" x 18" is 304.8 x 457.2 mm that is one-size larger than A3 Staple Settings: 11" x 17" L to 7.25" to 10.5" L/P</p> |
| Mode | Non-Sort/Sort/Group/Sort Staple/Group Staple/Sort Punch/Group Punch/ Sort Staple Punch/Booklet/Center Fold/Tri-Fold, Offset Output, Staple Output and Punch Output supported via Tray 2 only. (Note: for Booklet Output, Center Fold Output and Tri-Fold Output, use the FS-539SD.) |
| Stacking Capacity | <p>Output Tray 1: Plain Paper (21.25 lb.) 200 sheets (8.5" x 11" L/P, 7.25" x 10.5" L/P; 20 sheets (12" x 18"¹, 8.5" x 14" L, 8" x 13"² L) Index cards, wide paper and non-standard -size paper: 20 sheets Thick Paper, Transparency, Postcard (4" x 6"), Envelope, Label Sheets, Letterhead, Index paper (24 lb. to 79.5 lb.): 20 sheets.</p> <p>Output Tray 2: Plain Paper (21.25 lb.): 3,000 sheets (8.5" x 11" L/P) Thick Paper (24 lb. to 79.75 lb.): 20 sheets.</p> <p>^{*1} 12" x 18" is 304.8 x 457.2 mm that is one-size larger than A3. ^{*2} There are six types of foolscaps: 8.5" x 13.5" L, 220 x 330 mm L, 8.5" x 13" L, 8.25" x 13" L, 8.125" x 13.25" and 8" x 13". Any one of these sizes is selectable. For details, contact your service representative.</p> |
| Staple Mode | <p>Thick Mode (24.188 lb. to 79.75 lb.) 2 sheets (Cover Mode) Staple: Plain Paper (17 to 21.25 lb.): 100 sheets; Center Staple and Fold: Plain Paper (17 to 21.25 lb.): 20 sheets; (21.25 to 24 lb.): 16 sheets; Corner Front/Back, Center 2-Point, Booklet: Maximum number of Stapled sheets: 100 sheets Thin Paper (14 lb. to 15.688 lb.) Plain Paper (16 lb. to 24 lb.) Recycled Paper (16 lb. to 24 lb.)</p> |
| Manual Staple Mode | <p>Media Weight: 14 to 55 lb. Stapling capacity: up to 50 sheets (24 lb. paper)</p> |
| Available Options | PK-526 Punch Kit (2/3-Hole Punch), JS-602 Job Separator Tray (3rd Output Tray), PI-507 Post Inserter, ZU-609 Z-Fold Unit |
| Power Requirements | Supplied from Main Unit |
| Max. Power Consumption | 140 W or less (when all applicable options are installed) |
| Dimensions (W x D x H) | 24.5" (29.6") x 27.2" x 40.6" Numbers in parentheses () indicate the values applied when the tray is pulled output. |
| Weight Approx. | Approx. 104 lb. |
| Consumables | SK-704 Staples for FS-540 |

ACCESSORIES

FS-540SD* (COMBINATION OF FS-540 STAPLE FINISHER (SEE SPECS PAGE 9) AND INTEGRATED SADDLE STITCHER UNIT)



| | | | | | | | | | | | | | | | | | | | | | | | | | | | | | | | | | | | | | | |
|---|---|---------|-----------------------|--|--|----------------|--|--|-----------------------|---------|------------------------|---------|-------------------------|---------|--------------------------------------|--|-----------------------|---------|------------------------|---------|-------------------------|---------|-----------|---|--|----------------------|---------|--|--|----------------------|---------|----------|----------------|---------|-----------------|---------|-----------------|---------|
| Supported Paper Weights | Thin/Plain Paper (14 lb. to 24 lb.) 20 or 19 Sheets + Thick (55.5 lb.) 1 Sheet | | | | | | | | | | | | | | | | | | | | | | | | | | | | | | | | | | | | | |
| Supported Paper Types | Center Staple: Plain Paper (14 lb. to 24 lb.) Half-Fold or Tri-Fold: Plain Paper (14 lb. to 24 lb.) | | | | | | | | | | | | | | | | | | | | | | | | | | | | | | | | | | | | | |
| Supported Paper Sizes | Center Staple & Fold, Half-Fold: 12.25" x 18"L. 11" x 17"L, 8.5" x 14"L, Letter L Tri-Fold: Letter L | | | | | | | | | | | | | | | | | | | | | | | | | | | | | | | | | | | | | |
| Number of Sheets that can be stacked into Output Tray 2 | 2,500 Sheets (Plain Paper, 20 lb., 8.5" x 11") | | | | | | | | | | | | | | | | | | | | | | | | | | | | | | | | | | | | | |
| Max. Number of Sheets that can be Center-Stapled | 20 Sheets Plain Paper (14 lb. to 24 lb.) 19 Sheets Plain Paper (14 lb. to 24 lb.) + 1 Sheet Thick (55.5 lb.) | | | | | | | | | | | | | | | | | | | | | | | | | | | | | | | | | | | | | |
| Max. Number of Folded Sheets | Half-Fold: 5 Sheets Tri-Fold: 3 Sheets | | | | | | | | | | | | | | | | | | | | | | | | | | | | | | | | | | | | | |
| Number of Sheets that can be loaded into the Folding Output Tray | <table border="1"> <tr> <td colspan="3">Plain Paper 21.25 lb.</td> </tr> <tr> <td rowspan="8">Center Folding</td> <td colspan="2">When the length of the paper is 13" or more:</td> </tr> <tr> <td>1 to 5 sheets stapled</td> <td>35 sets</td> </tr> <tr> <td>6 to 10 sheets stapled</td> <td>30 sets</td> </tr> <tr> <td>11 to 20 sheets stapled</td> <td>15 sets</td> </tr> <tr> <td colspan="2">When length of paper is 13" or less:</td> </tr> <tr> <td>1 to 5 sheets stapled</td> <td>35 sets</td> </tr> <tr> <td>6 to 10 sheets stapled</td> <td>25 sets</td> </tr> <tr> <td>11 to 20 sheets stapled</td> <td>15 sets</td> </tr> <tr> <td rowspan="4">Half Fold</td> <td colspan="2">When the length of the paper is 13" or more</td> </tr> <tr> <td>1 to 5 sheets folded</td> <td>35 sets</td> </tr> <tr> <td colspan="2">When the length of paper is 13" or less:</td> </tr> <tr> <td>1 to 5 sheets folded</td> <td>35 sets</td> </tr> <tr> <td rowspan="3">Tri Fold</td> <td>1 sheet folded</td> <td>50 sets</td> </tr> <tr> <td>2 sheets folded</td> <td>40 sets</td> </tr> <tr> <td>3 sheets folded</td> <td>30 sets</td> </tr> </table> | | Plain Paper 21.25 lb. | | | Center Folding | When the length of the paper is 13" or more: | | 1 to 5 sheets stapled | 35 sets | 6 to 10 sheets stapled | 30 sets | 11 to 20 sheets stapled | 15 sets | When length of paper is 13" or less: | | 1 to 5 sheets stapled | 35 sets | 6 to 10 sheets stapled | 25 sets | 11 to 20 sheets stapled | 15 sets | Half Fold | When the length of the paper is 13" or more | | 1 to 5 sheets folded | 35 sets | When the length of paper is 13" or less: | | 1 to 5 sheets folded | 35 sets | Tri Fold | 1 sheet folded | 50 sets | 2 sheets folded | 40 sets | 3 sheets folded | 30 sets |
| Plain Paper 21.25 lb. | | | | | | | | | | | | | | | | | | | | | | | | | | | | | | | | | | | | | | |
| Center Folding | When the length of the paper is 13" or more: | | | | | | | | | | | | | | | | | | | | | | | | | | | | | | | | | | | | | |
| | 1 to 5 sheets stapled | 35 sets | | | | | | | | | | | | | | | | | | | | | | | | | | | | | | | | | | | | |
| | 6 to 10 sheets stapled | 30 sets | | | | | | | | | | | | | | | | | | | | | | | | | | | | | | | | | | | | |
| | 11 to 20 sheets stapled | 15 sets | | | | | | | | | | | | | | | | | | | | | | | | | | | | | | | | | | | | |
| | When length of paper is 13" or less: | | | | | | | | | | | | | | | | | | | | | | | | | | | | | | | | | | | | | |
| | 1 to 5 sheets stapled | 35 sets | | | | | | | | | | | | | | | | | | | | | | | | | | | | | | | | | | | | |
| | 6 to 10 sheets stapled | 25 sets | | | | | | | | | | | | | | | | | | | | | | | | | | | | | | | | | | | | |
| | 11 to 20 sheets stapled | 15 sets | | | | | | | | | | | | | | | | | | | | | | | | | | | | | | | | | | | | |
| Half Fold | When the length of the paper is 13" or more | | | | | | | | | | | | | | | | | | | | | | | | | | | | | | | | | | | | | |
| | 1 to 5 sheets folded | 35 sets | | | | | | | | | | | | | | | | | | | | | | | | | | | | | | | | | | | | |
| | When the length of paper is 13" or less: | | | | | | | | | | | | | | | | | | | | | | | | | | | | | | | | | | | | | |
| | 1 to 5 sheets folded | 35 sets | | | | | | | | | | | | | | | | | | | | | | | | | | | | | | | | | | | | |
| Tri Fold | 1 sheet folded | 50 sets | | | | | | | | | | | | | | | | | | | | | | | | | | | | | | | | | | | | |
| | 2 sheets folded | 40 sets | | | | | | | | | | | | | | | | | | | | | | | | | | | | | | | | | | | | |
| | 3 sheets folded | 30 sets | | | | | | | | | | | | | | | | | | | | | | | | | | | | | | | | | | | | |
| Dimensions (W x D x H) | 25.0" (30.6") x 27.2" x 40.6" (number in parentheses indicate dimensions with tray extended) | | | | | | | | | | | | | | | | | | | | | | | | | | | | | | | | | | | | | |
| Weight | 161.0 lb. | | | | | | | | | | | | | | | | | | | | | | | | | | | | | | | | | | | | | |
| Consumables | SK-602 Staples for FS-540 SD Saddle Stitch Unit only. SK-704 for other staple functions. | | | | | | | | | | | | | | | | | | | | | | | | | | | | | | | | | | | | | |

* NOTE: The Saddle Stitcher is not available as a separate accessory. Please refer to engine specifications for additional paper size and weight limitations. Installation of the FS-540 SD requires the relay unit that is appropriate for the engine.

ACCESSORIES

JS-602 JOB SEPARATOR (3RD OUTPUT TRAY FOR FS-540)



| | |
|-------------------------|---|
| Applicable | FS-540/FS-540 SD |
| Type | Output Tray 3 |
| Feeding function | Group, Sort |
| Paper Type | Plain Paper (16 lb. bond to 24 lb. bond) |
| Paper Size | 11" x 17"L to 5.5" x 8.5"L |
| Paper Capacity | Plain Paper (21.25 lb. bond): 8.5" x 11"L: 100 sheets Other than 8.5" x 11"L: 50 sheets |
| Dimensions | 13.44" W x 21.13" D x 5.9" H |
| Weight | Approx. 4 lb. |
| | NOTE: The JS-602 functions as a third output tray on the FS-540. When this tray is added, users can sort print, copy and fax output on three different trays. The JS-602 cannot be installed with the PI-507. |

PK-526 PUNCH KIT



| | |
|--------------------------------|--|
| Applicable | FS-540/FS-540 SD |
| Number of Holes | 2 or 3 holes |
| Supported Paper Weights | Thin Paper (14 lb. to 15 lb.), Plain Paper (16 lb. to 24 lb.), Thick Paper (24.25 lb. to 79.75 lb.) |
| Supported Paper Sizes | 2-Hole Punch Setting: 11" x 17" to 5.5" x 8.5", 8" x 13" 3-Hole Punch Setting: 11" x 17" to 8.5" x 11", 7.25" x 10.5" |
| Power Requirements | Supplied from Finisher FS-539 |
| Dimensions (W x D x H) | 5.8" x 25.2" x 9.2" |
| Weight Approx. | Approx. 10 lb. |



ACCESSORIES

PI-507 POST INSERTER



| | |
|-------------------------------|--|
| Applicable | FS-540/ FS-540 SD |
| Type | Post Inserter |
| Configuration | 2 trays (upper and lower) |
| Cover Paper Type | Plain Paper (16 lb. bond to 24 lb. bond), Thick 24.25 lb. to 55.5 lb. |
| Cover Paper Size | Upper Tray 8.5" x 11"L/P, 7.25" x 10.5"L/P, 5.5" x 8.5"P Width: 7.19" to 12.25"; Length: 5.5" to 11.69" Lower Tray 12" x 18"L, 11" x 17"L, 8.5" x 14"L, 8.5" x 11"L/P, 7.25" x 10.5"L/P, 5.5" x 8.5"P Width: 7.19" to 12.25"; Length: 5.5" to 11.69" |
| Paper Capacity | Plain Paper (21.25 lb.): 200 sheets for each tray |
| Power Requirements | Supplied from Finisher FS-540 |
| Dimensions (W x D x H) | 20.2" x 25.0" x 8.7" |
| Weight | Approx. 28 lb. |
| . | Note: The PI-507 cannot be installed with the JS-602 |

ZU-609 Z-FOLDING UNIT



| | |
|--|--|
| Applicable | FS-540/FS-540 SD |
| Type | Z-Fold Unit |
| Paper Type when Hole Punching is Selected | Plain Paper (15 lb. bond to 24 lb. bond) |
| Paper Size when Hole Punching is Selected | 11" x 17"L - 5.5" x 8.5"L/P |
| Fold Type | Z-Fold |
| Paper Type when Z-Folding is Selected | Plain Paper (16 lb. bond - 24 lb. bond) |
| Paper Size when Z-Folding is Selected | 11" x 17"L, 8.5" x 14"L |
| Power Requirements | Supplied from finisher FS-540 |
| Dimensions* (W x D x H) | 4.0" x 19.9" x 7.3" * The ZU-609 is installed inside the FS-540/FS-539SD |
| Weight Approx. | Approx. 10 lb. |

ACCESSORIES

MK-742 MOUNT KIT



| | |
|----------|--|
| Type | Internal Component |
| Function | Required for installation of one or two FK-515 Fax Kit(s) for three or four fax lines. (Only one MK-742 required.) |

FS-539 FLOOR FINISHER* (50 SHEETS) *NOTE: INSTALLATION OF THE FS-540 OR FS-540SD REQUIRES THE RELAY UNIT THAT IS APPROPRIATE FOR THE ENGINE



| | |
|----------------------|---|
| Type | Floor Finisher |
| Output Trays | Output Tray 1, Output Tray 2, Folding Output Tray (Top of RU unit) |
| Supported Paper Type | Output Tray 1 & Output Tray 2: Thin Paper (14 lb. to 15 lb.), Plain Paper (16 lb. bond to 24 lb. bond), Recycled Paper (16 lb. to 24 lb.), Thick Paper 1/1+/2/3 (24.25 lb. bond to 79.75 lb. bond), OHP Transparencies, Postcards*, Envelopes*, Label Sheets*, Letterhead*, Tabs*, Banner Paper* Staple Settings: Thin Paper (14 lb. to 15 lb.), Plain Paper (16 lb. bond to 23.94 lb. bond), Recycled Paper (16 lb. to 24 lb.), Thick Paper 1 (24.25 lb. bond to 32 lb. bond), Thick Paper 1+ (32.25 lb. to 41.75 lb.), Thick Paper 2 (42 lb. to 55.5 lb.) * Fed into Output Tray 1 |
| Supported Paper Size | Output Tray 1: 12.25" x 18", 11" x 17" to 5.5" x 8.5"L/P Output Tray 2: Group/Sort: 12.25" x 18", 11" x 17", 5.5" to 8.5"L/P Offset Group/Offset Sort: 12.25" x 18", 11" x 17" to 5.5" to 8.5", SRA3 Width: 7.188" to 12.625"; Length 5.875" to 18" Staple: 11" x 17" to 7.25" x 10.5"L/P Width: 7.188" to 11.688"; Length 5.875" to 17" Folding Output Tray: 12.25" x 18", 11" x 17" to 5.5" x 8.5"L/P Width: 3.5" to 12.5"; Length 5.5" to 18" |
| Mode | Non-Sort, Sort, Group, Sort/Offset, Group/Offset, Sort and Staple |



ACCESSORIES

FS-539 FLOOR FINISHER* (50 SHEETS) CONT

| | |
|-------------------------------|--|
| Stacking Capacity | <p>Output Tray 1: Thin Paper (14 lb. to 15.5 lb.), Plain Paper (16 lb. to 24 lb.): 200 sheets. Thick Paper (24.25 to 79.75 lb.), OHP Transparencies, Postcards, Envelopes or Label Sheets, Letterheads, Tabs: 20 sheets</p> <p>Output Tray 2 – Group/Sort Mode: Plain Paper (16 lb. to 24 lb.): 3,000 sheets of 8.5" x 11" or smaller, or 1,500 sheets of 8.5" x 14" or larger; or 500 sheets of 5.5" x 8.5" or smaller.</p> <p>Thick Paper (24.25 to 79.75 lb.), OHP Transparencies, Postcards, Envelopes, Labels, Letterheads, Tabs: 20 sheets</p> <p>2nd Tray – Offset Group/Offset Sort: 3,000 sheets (8.5" x 11" or smaller); 1,500 sheets (8.5" x 14" or larger); 500 sheets (5.5" x 8.5" or larger)</p> <p>Thin Paper (14 lb. to 15 lb.) Plain Paper (16 lb. to 24 lb.) Recycled Paper (16 lb. to 24 lb.) Thick Paper (24.25 lb. to 79.75 lb.), OHP Transparencies, Postcard, Envelope, Label sheets, Letterhead, Tabs: 20 sheets</p> <p>Staple Thin Paper (14 lb. to 15 lb.): 50 sheets Plain Paper (16 lb. to 24 lb.): 50 sheets Recycled Paper (16 lb. to 24 lb.): 50 sheets Thick Paper (24.25 lb. to 32 lb.): 30 sheets Thick Paper 1+ (32.25 lb. to 41.75 lb.): 30 sheets Thick Paper 2 (42 lb. to 55.5 lb.): 20 sheets</p> <p>2–9 Sheets: 100 Sets 10–20 Sheets: 50 Sets 21–30 Sheets: 30 Sets 31–40 Sheets: 25 Sets 41–50 Sheets: 20 Sets</p> <p>Folding Output Tray: 100 sheets Thin Paper (14 lb. to 15.5 lb.) Plain Paper (16 lb. to 24 lb.) Recycled Paper (16 lb. to 24 lb.) Thick Paper (24.25 lb. to 79.75 lb.): 20 sheets</p> |
| Staple Mode | Paper Sizes: 8.5" x 11" to 11" x 17"; Corner, 2 Position (Side, Top) |
| Manual Staple Mode | Media Weight: 14 to 55 lb. Stapling capacity: up to 50 sheets (24 lb. paper) |
| Available Options | PK-524 Punch Kit (2/3-hole Punch) |
| Power Requirements | Supplied from Main Unit |
| Max. Power Consumption | Less than 56 W |
| Dimensions (W x D x H) | 11.4" x 25.3" x 40.3" when tray is pulled out; 25.9" (W) when tray is not pulled out |
| Weight Approx. | 79 lb. |
| Consumables | SK-602 Staples (5,000 Staples x 3) *NOTE: FS-539 supports banner printing |

ACCESSORIES

FS-539SD FLOOR FINISHER* COMBINATION OF FS-539 (SEE SPECS LISTED ABOVE) AND SADDLE STITCH UNIT (SPECS LISTED BELOW)



| | |
|--|---|
| Number of bins | 1 Tray |
| Paper types | Thin Paper (14 lb. to 15 lb.), Plain Paper (15 to 24 lb.) Thick Paper 1/1+2 (24.25 to 55.5 lb.)* *Can only be used as a cover page. |
| Paper sizes | 12.25" x 18"L, 11" x 17", 8.5" x 14" L, 8.5" x 11" |
| Number of Center Stapled or Half-Folded Sheets | Plain Paper (15 to 24 lb.) 1-3 Sheets: 20 Sets 4-10 Sheets: 10 Sets 11-20 Sheets: 5 Sets |
| Number of Tri-Folded Sheets (Letter Only) | 1 Sheet: 30 Sets 2-3 Sheets: 10 Sets |
| Staple mode | Booklet, 2-point staple |
| Maximum staple sheet | 20 sheets: (19 sheets/14 to 24 lb.) + (1 sheet/13 to 55.5 lb.) |
| Dimensions (W x D x H) | 8.3" x 21.9" x 21.6" |
| Weight | 53 lb. |
| Consumables | SK-602 (5,000 x 3 pkg/case) |
| Power requirements | Supplied from finisher * NOTE: The Saddle Stitcher is not available as a separate accessory. Please refer to engine specifications for additional Installation of the FS-539 requires the relay unit that is appropriate for the engine. |

RU-513 RELAY UNIT (REQUIRED FOR FS-539, FS-539SD, FS-540 OR FS-540SD)



| | |
|------------------------|------------------------------|
| Type | Installed into the Main Body |
| Power Requirements | Supplied by Main Engine |
| Dimensions (W x D x H) | 18.0" x 21.9" x 6.0" |
| Weight | Approx. 9 lb. |

PK-524 PUNCH KIT (FOR FS-539/FS-539SD)



| | |
|-------------------------|--|
| Applicable | FS-539/FS-539SD |
| Number of Holes | 2 or 3 holes |
| Supported Paper Weights | Thin Paper (14 lb. to 15 lb.), Plain Paper (16 lb. to 24 lb.) Thick Paper (24.25 lb. to 79.75 lb.) |
| Supported Paper Sizes | 2-Hole Punch Setting: 11" x 17" to 5.5" x 8.5", 8" x 13" 3-Hole Punch Setting: 11" x 17" to 8.5" x 11", 7.25" x 10.5" |
| Power Requirements | Supplied from Finisher FS-539 |
| Dimensions (W x D x H) | 2.4" x 19.4" x 5.6" |
| Weight Approx. | Approx. 4 lb. |

ACCESSORIES

FS-533 FINISHER (NOT COMPATIBLE WITH BIZHUB C651i)



| | |
|------------------------|---|
| Type | Inner Staple Finisher |
| Output Trays | Output Tray 1 |
| Supported Paper Types | Group/Sort: Thin Paper (14 lb. to 15 lb.), Plain Paper (16 lb. bond to 24 lb. bond), Recycled Paper (16 lb. to 24 lb.), Thick Paper (24.25 lb. bond to 79.75 lb. bond), OHP Transparencies, Postcards, Envelopes, Label Sheets, Letterhead, Tabs, Banner Paper. Offset Group, Offset Sort: Thin Paper (14 lb. to 15 lb.), Plain Paper (16 lb. bond to 24 lb. bond), Recycled Paper (16 lb. to 24 lb.), Thick Paper (24.25 lb. bond to 79.75 lb. bond) Staple Settings: Thin Paper (14 lb. to 15 lb.), Plain Paper (16 lb. bond to 23.94 lb. bond), Recycled Paper (16 lb. to 24 lb.), Thick Paper (24.25 lb. bond to 55.25 lb. bond) |
| Mode | Group, Sort, Offset Group, Offset Sort, Staple |
| Supported Paper Size | Group/Sort: 12.25" x 18"L, 11" x 17"L to 5.5" x 8.5"L/P, 4" x 6"L, SRA3L Width: 3.56" to 12.625"; Length: 5.5" to 47.25" Offset Group/Offset Sort: 12.25" x 18"L, 11" x 17"L, 8.5" x 11"L/P, 7.25" x 10.5"P Width: 8.25" to 11.69"; Length: 7.17" x 17" Staple: 11" x 17"L, 8.5" x 14"L, 8.5" x 11"L/P, 7.25" x 10.5"P Width: 8.25" to 11.69"; Length: 7.17" x 17" |
| Stacking Capacity | Group, Sort, Offset Group, Offset Sort: Thin Paper (14 lb. to 15 lb.), Plain Paper (16 lb. bond to 24 lb. bond), Recycled Paper (16 lb. to 24 lb.): 500 sheets of 8.5" x 11" or smaller; or 250 sheets of 8.5" x 14" or larger Thick Paper (24.25 lb. bond to 79.75 lb. bond), OHP Transparencies, Postcards, Envelopes, Label Sheets, Letterhead, Tabs, Banner Paper: 10 sheets Staple: Thin Paper (14 lb. to 15 lb.), Plain Paper (16 lb. bond to 24 lb. bond), Recycled Paper (16 lb. to 24 lb.): 50 sheets of 8.5" x 11" or smaller; or 30 sheets of 8.5" x 14" or larger Thick Paper (24.25 lb. bond to 55.5 lb. bond): 2 sheets |
| Staple Mode | Corner Front / Back 2-point |
| Available Options | PK-519 Punch Kit (2-/3-hole Punch) |
| Power Requirements | Supplied from Main Unit |
| Max. Power Consumption | Less than 40W |
| Dimensions (W x D x H) | 18.6" x 23" x 7.7" |
| Weight Approx. | 26.5 lb. |
| Consumables | SK-602 Staples (5,000 Staples x 3) |

MK-607 FAN KIT (bizhub C551i or C451i only)



| | |
|--------------------|---|
| Type | Installed into main body |
| Function | Required to install FS-533 on bizhub C551i, C451i |
| Power requirements | Supplied from main body |

PK-519 PUNCH KIT (FOR FS-533 COMPATIBLE WITH BIZHUB C551i/C451i ONLY)



| | |
|------------------------|--|
| Applicable | Finisher FS-533 |
| Number of holes | 2 or 3 holes |
| Supported Paper Weight | Thin Paper (14 lb. to 15.5 lb.), Plain Paper (16 lb. to 24 lb.), Thick paper (24.25 lb. bond to 79.75 lb. bond) |
| Supported Paper Size | 2-hole Punch Setting: 11" x 17", 8.5" x 14", 8.5" x 11" 3-hole Punch Setting: 11" x 17", 8.5" x 11" |
| Power requirements | Supplied from Finisher FS-533 |
| Dimensions (W x D x H) | 4.3" x 19.0" x 8.0" |
| Weight Approx. | Approx. 7 lb. |

ACCESSORIES

JS-508 JOB SEPARATOR TRAY



| | |
|-------------------------------|--|
| Output Tray Mode | Output Tray 1, Output Tray 2 Group, Sort, Offset Group*, Offset Sort* * Fed into Output Tray2 |
| Supported Paper Types | Group/Sort: Thin Paper (14 lb. to 15.5 lb.), Plain Paper (16 lb. bond to 24 lb. bond), Recycled Paper (16 lb. to 24 lb.), Thick Paper (24.25 lb. bond to 79.75 lb. bond), OHP Transparencies, Postcards*, Envelopes, Label Sheets, Letterhead, Tabs*, Banner Paper*. Offset Group, Offset Sort: Thin Paper (14 lb. to 15.5 lb.), Plain Paper (16 lb. bond to 24 lb. bond), Recycled Paper (16 lb. to 24 lb.), Thick Paper (24.25 lb. bond to 79.75 lb. bond) * Fed into Output Tray 2 |
| Supported Paper Size | Output Tray 1: 12.25" x 18"L, 11" x 17"L to 5.5" x 8.5"L/P, SRA3L Width: 3.56" to 12.625"; Length: 5.5" to 18" Output Tray 2: Group/Sort: 12.25" x 18"L, 11" x 17"L to 5.5" x 8.5"L/P, 4" x 6"L, SRA3L Width: 3.56" to 12.625"; Length: 5.5" to 47.25" Offset Group/Offset Sort: 11" x 17"L, to 7.25" x 10.5"L/P Width: 7.17" to 12.25"; Length: 5.8" to 18" |
| Stacking Capacity | Output Tray 1: Thin Paper (14 lb. to 15.5 lb.), Plain Paper (16 lb. bond to 24 lb. bond), Recycled Paper (16 lb. to 24 lb.): 100 sheets Output Tray 2: Group/Sort: Thin Paper (14 lb. to 15.5 lb.), Plain Paper (16 lb. bond to 24 lb. bond), Recycled Paper (16 lb. to 24 lb.): 150 sheets; Thick Paper (24.25 lb. bond to 79.75 lb. bond), Transparency, Postcard, Label sheets: 20 Sheets; Envelope: 10 Sheets; Banner Paper: 1 Sheet Offset Group/Offset Sort: Thin Paper (14 lb. to 15.5 lb.), Plain Paper (16 lb. bond to 24 lb. bond), Recycled Paper (16 lb. to 24 lb.): 150 sheets; Thick Paper (24.25 lb. bond to 79.75 lb. bond): Not specified |
| Power Requirements | Supplied from Main Unit |
| Max. Power Consumption | Less than 24W |
| Dimensions (W x D x H) | 19.4" x 18.5" x 8.9" |
| Weight Approx. | 3.0 lb. |

OT-513 OUTPUT TRAY



| | |
|-----------------------|--|
| Number of Bins | Exit Tray (1) |
| Paper Capacity | 250 Sheets NOTE: OT-513 supports banner printing when installed on 650i/550i/450i |

PC-116 PAPER FEED CABINET



| | |
|-------------------------------|---|
| Type | 1 x 500 sheet universal drawer + storage |
| Supported Paper Types | Thin Paper (14 lb. to 15.5 lb.), Plain Paper (16 lb. bond to 24 lb. bond), Recycled Paper (16 lb. to 24 lb.), Single Side Only Paper (16 lb. bond to 24 lb. bond), Special Paper (16 lb. bond to 24 lb. bond), Letterhead (16 lb. bond to 24 lb. bond), Colored Paper (16 lb. bond to 24 lb. bond), Thick Paper 1 (24.25 lb. bond to 32 lb. bond), Thick Paper 1+ (32.25 lb. bond to 41.75 lb. bond), Thick Paper 2 (42 lb. bond to 55.5 lb. bond), Thick Paper 3 (55.75 lb. bond to 68 lb. bond) |
| Supported Paper Size | 11" x 17" (L) to 8.5" x 11" (L/P), 5.5" x 8.5" (L), 8" x 13" (L)* * There are six Foolscap sizes: 220 x 330 mm, 8.5" x 13.5", 8.5" x 13", 8.25" x 13, 8.12" x 13.25" and 8" x 13". Only one of these sizes can be selected. For details, please consult with your authorized Konica Minolta Service representative. |
| Paper Capacity | Tray 3: Thin paper, Plain paper, Recycled paper, 1-sided Special paper, Special paper, Letterhead, Colored paper: 500 sheets, Thick 1, Thick 1+, Thick 2, Thick 3: 150 sheets |
| Power Requirements | Supplied from Main Unit |
| Max. Power Consumption | Less than 15W |
| Dimensions (W x D x H) | 24.2" x 25.7" x 11.6" |
| Weight Approx. | 49 lb. |

ACCESSORIES

PC-216 PAPER FEED CABINET



| | |
|------------------------|---|
| Type | 2 x 500 sheet universal drawers |
| Supported Paper Types | Thin Paper (14 lb. to 15.5 lb.), Plain Paper (16 lb. bond to 24 lb. bond), Recycled Paper (16 lb. to 24 lb.), Single Side Only Paper (16 lb. bond to 24 lb. bond), Special Paper (16 lb. bond to 24 lb. bond), Letterhead (16 lb. bond to 24 lb. bond), Colored Paper (16 lb. bond to 24 lb. bond), Thick Paper 1 (24.25 lb. bond to 32 lb. bond), Thick Paper 1+ (32.25 lb. bond to 41.75 lb. bond), Thick Paper 2 (42 lb. bond to 55.5 lb. bond), Thick Paper 3 (55.75 lb. bond to 68 lb. bond) |
| Supported Paper Size | 11" x 17" (L) to 8.5" x 11" (L/P), 5.5" x 8.5" (L), 8" x 13" (L)* * There are six Foolscap sizes: 220 x 330 mm (L), 8.5" x 13.5", 8.5" x 13" (L), 8.25" x 13" (L), 8.12" x 13.25" (L) and 8" x 13" (L). Any one of these sizes can be selected. For details, please consult with your authorized Konica Minolta Service representative. |
| Paper Capacity | Tray 3: Thin paper, Plain paper, Recycled paper, 1-sided Special paper, Special paper, Letterhead, Colored paper: 500 sheets, Thick 1, Thick 1+, Thick 2, Thick 3: 150 sheets Tray 4: Thin paper, Plain paper, Recycled paper, 1-sided Special paper, Special paper, Letterhead, Colored paper: 500 sheets, Thick 1, Thick 1+, Thick 2, Thick 3: 150 sheets |
| Power Requirements | Supplied from Main Unit |
| Max. Power Consumption | Less than 15W |
| Dimensions (W x D x H) | 24.2" x 25.7" x 11.6" |
| Weight Approx. | 53 lb. |

PC-416 PAPER FEED CABINET



| | |
|------------------------|---|
| Type | Large Capacity Cassette |
| Supported Paper Types | Thin Paper (14 lb. to 15.5 lb.), Plain Paper (16 lb. bond to 24 lb. bond), Recycled Paper (16 lb. to 24 lb.), Single Side Only Paper (16 lb. bond to 24 lb. bond), Special Paper (16 lb. bond to 24 lb. bond), Letterhead (16 lb. bond to 24 lb. bond), Colored Paper (16 lb. bond to 24 lb. bond), Thick Paper 1 (24.25 lb. bond to 32 lb. bond), Thick Paper 1+ (32.25 lb. bond to 41.75 lb. bond), Thick Paper 2 (42 lb. bond to 55.5 lb. bond), Thick Paper 3 (55.75 lb. bond to 68 lb. bond) |
| Supported Paper Size | 8.5" x 11"P |
| Paper Capacity | Thin paper, Plain paper, Recycled paper, 1-sided Special paper, Special paper, Letterhead, Colored paper: 2,500 sheets; Thick 1, Thick 1+, Thick 2, Thick 3: 1,000 sheets |
| Power Requirements | Supplied from Main Unit |
| Max. Power Consumption | Less than 45W |
| Dimensions (W x D x H) | 24.2" x 25.7" x 11.6" |
| Weight Approx. | 51 lb. |

PC-417 PAPER FEED CABINET



| | |
|------------------------|---|
| Type | Large Capacity Cassette |
| Supported Paper Types | Thin Paper (14 lb. to 15.5 lb.), Plain Paper (16 lb. bond to 24 lb. bond), Recycled Paper (16 lb. to 24 lb.), Single Side Only Paper (16 lb. bond to 24 lb. bond), Special Paper (16 lb. bond to 24 lb. bond), Letterhead (16 lb. bond to 24 lb. bond), Colored Paper (16 lb. bond to 24 lb. bond), Thick Paper 1 (24.25 lb. bond to 32 lb. bond), Thick Paper 1+ (32.25 lb. bond to 41.75 lb. bond), Thick Paper 2 (42 lb. bond to 55.5 lb. bond), Thick Paper 3 (55.75 lb. bond to 68 lb. bond) |
| Supported Paper Size | 8.5" x 11"P, 5.5" x 8.5" |
| Paper Capacity | Thin paper, Plain paper, Recycled paper, Special paper, Letterhead, Colored paper: 2,500 sheets; Thick 1, Thick 1+, Thick 2, Thick 3: 1,000 sheets |
| Power Requirements | Supplied from Main Unit |
| Max. Power Consumption | Approx. 26W |
| Dimensions (W x D x H) | 24.2" x 27.1" x 12.0" |
| Weight Approx. | Approx. 95 lb. |

ACCESSORIES

DK-516 COPY DESK



| | |
|------------------------|---|
| Type | Storage drawer only |
| Function | Stores printing materials such as paper or toner. Required when additional paper drawers are not installed, to bring the device to operational height |
| Dimensions (W x D x H) | 24.2" x 25.7" x 11.6" |
| Weight Approx. | Approx. 46 lb. |



ACCESSORIES

LU-207 LARGE CAPACITY UNIT



| | |
|-------------------------------|--|
| Type | Large capacity cassette |
| Supported Paper Type | Thin Paper (14 lb. to 15 lb.) Plain Paper (16 lb. to 24 lb.) Thick Paper 1 (24.25 lb. to 32 lb.) Thick Paper 1+ (32.25 lb. to 41.75 lb.) Thick Paper 2 (42 lb. to 55.5 lb.) Thick Paper 3 (55.75 lb. to 68 lb.) |
| Supported Paper | 12" x 18", 11" x 17", 8.5" x 14", 8.5" x 11", SRA3 |
| Paper Capacity | Plain Paper: 2,500 sheets (21.25 lb.) Thick 1: 2,000 sheets; Thick 1+: 1,450 sheets; Thick 2: 1,250 sheets; Thick 3: 1,000 sheets |
| Power Requirements | Supplied from main unit |
| Max. Power Consumption | 22 W or less |
| Dimensions (W x D x H) | 24.8" x 21.9" x 15.9" |
| Weight Approx. | Approx. 55 lb. |
| | * The maximum number of loadable sheets for each paper size is 2,500 sheets for 21.25 lb. paper or 2,750 sheets for 17 lb. paper. |

LU-302 LARGE CAPACITY UNIT



| | |
|-------------------------------|--|
| Type | Large capacity cassette |
| Supported Paper Type | Thin Paper (14 lb. to 15.688 lb.) Plain Paper (16 lb. bond to 24 lb. bond) Thick Paper 1 (24.25 lb. bond to 32 lb. bond) Thick Paper 1+ (32.25 lb. bond to 41.75 lb. bond) Thick Paper 2 (42 lb. bond to 55.5 lb. bond) Thick Paper 3 (55.75 lb. bond to 68 lb. bond) |
| Supported Paper | 8.5" x 11", A4 |
| Paper Capacity | Plain Paper: 3,000 sheets Thick Paper 1: 2,500 sheets (24.25 lb. bond to 32 lb. bond) Thick Paper 1+: 1,750 sheets (32.25 lb. bond to 41.75 lb. bond) Thick Paper 2: 1,550 sheets (42 lb. bond to 55.5 lb. bond) Thick Paper 3: 1,300 sheets (55.75 lb. bond to 68 lb. bond) |
| Power Requirements | Supplied from main unit |
| Max. Power Consumption | 22 W or less |
| Dimensions (W x D x H) | 14.1" x 21.9" x 15.9" |
| Weight Approx. | Approx. 40 lb. |

KP-102 10-KEY PAD



| | |
|-----------------|---|
| Type | 10-Key Pad |
| Function | Provides hard keys for entering numerical values and supports Voice Guidance function available with optional LK-104 v3 i-Option License Kit. Meets Section 508 Accessibility requirements. |

EXTERNAL KEYBOARD



| | |
|-----------------|---|
| Type | QWERTY Keyboard |
| Function | Computer-type keyboard for alphanumeric data entry. Requires KH-102 Keyboard Holder and EK-608 or EK-609 USB Interface Kit. |

ACCESSORIES

YSOFT MFX CARD READER



| | |
|-------------------------------|--|
| Interface | USB 2.0 |
| Dimensions (W x D x H) | Approx. 3.4" x 2.0" x 0.8" |
| Weight | Approx. 0.16 lb. |
| Max. Power Consumption | 500 mA |
| System Conditions | Ambient temperature: 41° to 95° (F) (during operation) Humidity: 20% to 85% (No dew condensation) |
| | NOTE: WT-506 Working Table or MK-735 Mount Kit (internal mount) required. |

HID FINGER PRINT READER 5300

| | |
|-------------------------------|--|
| Dimensions (W x D x H) | Approx. 3.4" x 2.1" x 1.2" |
| Weight | Approx. 0.54 lb. |
| Power Supply | Supplied from USB Port |
| System Conditions | Ambient Temperature: 50° to 131° F (operating mode) Humidity: 0% to 90% |
| | NOTE: WT-506 Working Table required. |

AU-204H MAGNETIC STRIPE CARD READER



| | |
|---|--|
| Dimensions (W x D x H) | 1.3" x 1.2" x 3.9" |
| Weight | 4.5 oz. |
| Power Supply | Supplied from USB Port |
| System Conditions (operating mode) | Ambient Temperature: 40° to 158° F Humidity: 10% to 90% |
| Transmit Frequency | 3-60 i.p.s. |
| Certifications | ISO 7810 and ISO 7811/AAMVA |
| Card Type Compatibility | All magnetic stripe cards |
| | NOTE: WT-506 Working Table required for AU-204H Magnetic Stripe Card Reader. |



ACCESSORIES

AU-211P CAC/PIV SOLUTION WITH CERTIFICATE



| | |
|-------------------------------|---|
| Dimensions (W x D x H) | 2.8" x 2.8" x 0.4" |
| Weight | 0.13 lbs. |
| Power Supply | Supplied from USB Port |
| System Conditions | 0° to 122° F (operating mode) |
| Interface | Full Speed USB (12 Mbps) |
| Connector Shape | USB A Type Connector |
| Compatible Card | PKI-C-Card (PIV, CAC) |
| | NOTE: WT-506 Working Table required. Please contact your local Government Account Manager for additional information. |

ACCESSORIES

WT-506 WORKING TABLE



| | |
|-------------------------------|--|
| Type | External Table |
| Function | Holds HID 5300 Finger Print Reader, YSoft Card Reader, AU-204H Magnetic Stripe Card Reader, AU-205H IC Card Reader or AU-211P CAC/PIV Solution; Can be used as a place holder for originals and/or output. |
| Dimensions (W x D x H) | 18.3" x 16.3" x 1.5" |

EK-608 USB HOST/LOCAL INTERFACE



| | |
|-----------------|---|
| Type | USB Interface and USB Cable |
| Function | Required to connect i-Option LK-104v3 Voice Guidance License Kit. Recommended for connection of External Keyboard. EK-609 may be substituted if Bluetooth connectivity is also desired. |

EK-609 USB HOST/LOCAL INTERFACE WITH BLUETOOTH



| | |
|-----------------|---|
| Type | USB Interface and USB Cable |
| Function | Required to connect i-Option LK-104v3 Voice Guidance License Kit. Recommended for connection of External Keyboard. EK-608 may be substituted if Bluetooth connectivity is not needed. |

MK-735 MOUNT KIT



| | |
|-----------------|---|
| Type | Internal Component |
| Function | Required if you wish to install the AU-205H internally in the device. |

FS-P04 OFF-LINE STAPLER

| | |
|---------------------------|--|
| Type | Stapling (off-line) |
| Staple capacity | 20 sheets (90 gsm) |
| Power supply | From device |
| Staples | SK-501 |
| Dimensions (WxHxD) | 4.3" x 4.6" x 2.9" |
| Weight | Approx. 2 lb |
| Function | Provides finishing capabilities. Can be installed on working table WT-P03 or separately. |

ACCESSORIES

UK-221 WLAN ADAPTER



| | |
|-----------------|--|
| Type | Internal Component |
| Function | Provides wireless connection for printing, scanning and authentication. Can be configured to serve as access point. Requires EK-608 or EK-609 USB Interface Kit. |

IC-420 FIERY IMAGE CONTROLLER

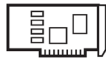


| | |
|----------------------------------|---|
| Type | Embedded |
| CPU | AMD GX-424CC, 2.4 GHz |
| Memory | 4 GB |
| HDD | 500 GB SATA |
| Page Description Language | Adobe PostScript, Levels 1, 2, 3 |
| Supported File Formats | Adobe PDF; PDF/X-1a, 3, and 4; Encapsulated PostScript, Microsoft Office document formats: doc, docx, xls,xlsx, ppt, pptx, pub* <small>*via optional Hot Folders</small> |
| Security | Secure erase; Network protection: 802.1x support, IP filtering, port blocking, SSD support, certificate management, self-signed certification; LDAP support; secure printing |
| Connectivity | TCP/IP, AppleTalk, Bonjour support, SNMP, Port 9100, IPP, FTP, SMB, WSD, point and print, print via Email (PS/PDF), IPv6 support |
| Software | Standard: Fiery Command Workstation, Fiery WebTools, Booklet Maker, Fiery Hot Folders, Fiery VUE, Direct Mobile Printing, Fiery Go (Android and iOS) Optional: Fiery Productivity Package, Fiery Impose, Fiery Compose, Fiery Impose-Compose Suite, Fiery JobFlow™, Fiery Hot Folders/Virtual Printers, Fiery Color Profiler Suite |
| Color/Imaging Technology | Fiery ColorWise, Fiery Calibrator, Fiery Spot-On, Pantone approved libraries, Image Smoothing, Fiery Image Enhance Visual Editor (optional), Auto Trapping (optional), support for ES-2000 spectrophotometer calibration |

UK-115 FIERY CONTROLLER MOUNT KIT (NOT REQUIRED FOR BIZHUB C651i OR C551i)

| | |
|-----------------|---|
| Type | Interface Kit |
| Function | Required (in addition to the VI-516) to install the IC-420 in a bizhub C451i, C360i, C300i, or C250i. |

VI-516 INTERFACE KIT



| | |
|-----------------|---|
| Type | Interface Kit |
| Function | Required interface kit to connect IC-420 Fiery Image Controller to MFP. |

ES-3000 SPECTROPHOTOMETER

| | |
|-----------------|---|
| Type | Color Measurement Instrument |
| Function | Used with Fiery Color Profiler Suite for color calibration. |

ACCESSORIES

LK-104 V3 i-OPTION LICENSE KIT

| | |
|----------|----------------|
| Type | License Key |
| Function | Voice Guidance |

LK-106 i-OPTION LICENSE KIT

| | |
|----------|---------------------------------|
| Type | License Key |
| Function | Supports Bar Code Font Printing |

LK-107 i-OPTION LICENSE KIT

| | |
|----------|--------------------------------|
| Type | License Key |
| Function | Supports Unicode Font Printing |

LK-108 i-OPTION LICENSE KIT

| | |
|----------|----------------------------|
| Type | License Key |
| Function | Supports OCR Font Printing |

LK-110 V2 i-OPTION LICENSE KIT

| | |
|----------|--|
| Type | License Key |
| Function | OOXML file conversion and Searchable PDF |

LK-111 i-OPTION LICENSE KIT

| | |
|----------|-----------------------------------|
| Type | License Key |
| Function | Provides ThinPrint client support |

LK-116 i-OPTION LICENSE KIT

| | |
|----------|---|
| Type | License Key |
| Function | Provides BitDefender® antivirus real time scanning of incoming and outgoing data. |

ACCESSORIES

UK-221 WIRELESS LAN UPGRADE ADAPTER



| | |
|----------|--|
| Type | WLAN Adapter |
| Function | Provides wireless secure connection for printing, scanning and authentication. |

SC-509 COPY GUARD KIT

| | |
|----------|--|
| Type | Embedded Type |
| Function | Prevents printing of Copy Protected documents Please note that two SC-509 Copy Guard Kits are required to apply the Copy Guard/password protection to each size of the originals when both sides are scanned in one pass. |





MIXED ORIGINAL SUPPORT

| Document size ² | MAXIMUM DOCUMENT WIDTH ¹ | | | | | |
|----------------------------|-------------------------------------|------------------------|-------------------------|-------------------------|-------------------------|--------------------------|
| | 11" x 17" landscape | 8.5" x 11" portrait | 8.5" x 14" landscape | 8.5" x 11" landscape | 5.5" x 8.5" portrait | 5.5" x 8.5" landscape |
| 11" x 17" (L) | • | • | x | x | x | x |
| 8.5" x 11" (P) | • | • | x | x | x | x |
| 8.5" x 14" (L) | • | • | • | • | • | x |
| 8.5" x 11" (L) | • | • | • | • | • | x |
| 5.5" x 8.5" (P) | x | x | • | • | • | x |
| 5.5" x 8.5" (L) | x | x | x | x | x | • |

¹ Indicates the width of the widest document size of the mixed originals

² Indicates the document sizes that can be mixed together based on the maximum document width.

• Possible x Not Possible

STANDARD PAPER TRAY SUPPORT

MAIN UNIT - bizhub 651i/551i/451i (PAPER TRAY 1 AND 2)

| Component | Capacity | Size | Weight |
|-----------|------------|-----------|-------------------------------|
| Tray 1 | 500 sheets | 11" x 17" | 14 lb. bond to 68 lb. bond |
| Tray 2 | 500 sheets | 12" x 18" | 14 lb. bond to 68 lb. bond |
| Bypass | 150 sheets | 12" x 18" | 16 lb. bond to 79.75 lb. bond |

PRINT CONTROLLER (STANDARD)

| | | | |
|------------------|--|---------------------------------|---------------------------------|
| Type | Internal Type | | |
| CPU | 1.6 GHz Quad Core Processor (shared with copier) | | |
| Memory | 8 GB (shared with copier) 250 GB Solid State Drive (shared with copier) | | |
| Print Speed | Color/BW | C651i 65 ppm Letter/Portrait | C551i 55 ppm Letter/Portrait |
| | | | C451i 45 ppm Letter/Portrait |
| Print Resolution | 600 x 600 dpi (1800 equivalent x 600 dpi), 1200 x 1200 dpi | | |
| PDL | PCL 5e/c emulation, PCL6 (XL version 3.0), PS 3 (Version 3016) Emulation, XPS | | |
| Protocol | TCP/IP (IPv4/IPv6), BOOTP, ARP, ICMP, DHCP, DHCPv6, AutoIP, SLP, SNMP, FTP, LPR/ LPD, RAW Socket, SMB over TCIP/IP, IPP, HTTP, POP, SMTP, LDAP, NTP, SSL, IPX, AppleTalk, Bonjour, NetBEUI, WebDAV, DPWS, S/MIME, IPsec, DNS, Dynamic DNS, LLMNR, LLTD, SSDP, SOAP | | |
| Font | PCL Resident Fonts: 80 Roman fonts PS3 Emulation Resident Fonts: 137 Roman Type 1 fonts | | |
| Interface | Standard Ethernet (10Base-T/100Base-TX/1000Base T); Hi-Speed USB 2.0, USB 1.1, USB Host | | |

NETWORK FUNCTIONS

| | |
|--|--|
| Sending the Scanned Data in an Email Message | Scanned data can be sent to a specified Email address. The destination is specified from the touch panel of this machine and the scanned data is sent as an Email attachment. |
| Sending Scanned Data as Files (FTP) | The FTP server address, login password, and other information are entered from the touch panel of this machine. The data files uploaded to the FTP server can be downloaded from a computer on the network. |
| Sending Scanned Data to a Computer on the Network (SMB) | Scanned data can be sent to a shared folder on a specified computer. The name of the destination computer, login password, and other information are entered from the touch panel of this machine. |
| Saving Scanned Data in Boxes | Scanned data is uploaded to a specified web server. The host name, file path, user name, and password are entered on the touch panel of the machine. The data files uploaded to the server can be downloaded from a computer on the network. |
| Using the Machine as a Scanner | This machine can be used as a scanner. The scanner can be controlled from a PC connected to the network, and the scanned image can be loaded into an application on the PC to be processed. |
| Web Service (Standard) | This machine can be used to access the Internet. |

PRINT DRIVERS

| | | |
|-------------------------------|------------------------------------|--|
| PCL 6 Drivers | Konica Minolta PCL Driver | Windows 10 Printer driver Windows 10 / 11 Server 2016 / Server 2019 / Server 2022 x64 Edition Printer driver |
| PostScript 3 Emulation | Konica Minolta PostScript 3 Driver | Windows 10 Printer driver Windows 10 / 11 Server2016 / Server2019 / Server 2022 x64 Edition Printer driver macOS 10.14 / 10.15 / 11 / 12 / 13 PPD+PDE Printer driver PPD file: for Red Hat Enterprise Linux Printer driver (CUPS v1.1.22) |
| XPS Driver Emulation | Konica Minolta XPS Driver | Windows 10 Printer Driver Windows 10 / 11 Server2016/ Server2019 / Server 2022 x64 Edition Printer Driver |
| Fax Driver | Konica Minolta | Windows 10 PC FAX Driver Windows 10 / 11 Server 2016 / Server 2019 / Server 2022 x64 Edition PC FAX Driver |

SCANNING FUNCTION

| | |
|----------------------------|--|
| Type | Full-Color Scanner |
| Scanning Size | 11" x 17" to 5.5" x 8.5" |
| Scanning Resolution | Push Scanning: 600/400/300/200 dpi Pull Scanning: 600/400/300/200/100 dpi |
| Scanning Speed | Duplex: 280 opm (200 dpi), 240 opm (300 dpi), 140 opm (600 dpi) Simplex: 160 opm (200 dpi), 120 opm (300 dpi), 80 opm (600 dpi) |
| Main Function | Scan-to-Email, Scan-to-User Box (HDD), Scan-to-FTP, Scan-to-USB, Scan-to-SMB (Desktop Folder), Scan-to-Me, Scan-to-Home, Scan-to-Scan Server, Network Twain (via Ethernet TCP/IP), Scan-to-WebDAV, WS-Scan |
| Interface | 10Base-T/100Base-TX/1000Base-T |
| Protocol | TCP/IP (FTP, SMB, SMTP) |
| Supported OS | Windows 10, Windows 10/11 x64 Edition |
| Output Format | Single TIFF, Multi TIFF, JPEG, PDF, Compact PDF, XPS, Compact XPS TIFF (MH, MMR), PDF (MH, MMR, JPEG), JPEG, Outline PDF, PPTX, Searchable PDF, PDF/A, Linearized PDF |
| Driver | Real Time TWAIN Driver, HDD TWAIN Driver |
| Address Setting | LDAP, Import/Export address from PageScope Web Connection |
| Authentication | SMTP Authentication, Network User Authentication (Active Directory, Novell, NDS, NTLM ver. 1, NTLM ver. 2, LDAP) |
| | † Text and image scanning speeds vary depending on the type of document. |

SOFTWARE TOOLS

| | |
|--|--|
| Network & Device Management | Data Administrator Driver Packaging Utility Log Management Utility Net Care Device Manager (Standard) |
| User Tools | Direct Print Box Operator Print Status Notifier Copy Protection Utility Print Utility for Unix Web Connection |
| Management Tools | bizhub vCare |

SECURITY

| | |
|--|--|
| <p>Because information assets are critical, a company needs to effectively protect against the many security risks it faces.</p> | <ol style="list-style-type: none"> 1) Prevent Leaks of proprietary, confidential or personal information 2) Prevent unauthorized use of equipment 3) Effective data encryption 4) Protect data from being altered, duplicated or deleted 5) Prevent unauthorized access to data via the Internet 6) Protect against cyber attacks 7) Manage log history |
| <p>Protective Functions</p> | <ul style="list-style-type: none"> • Job Erase — Deletes Graphic Data (after each job) • Lock Job (when printing confidential documents) • Protect data by requiring department name and 8-digit password • Account Track • Prevent Unauthorized Use • Operation Log with 2,000-event memory • SSD Encryption • PDF Scan Encryption • Protective Functions • Copy Protection • Network Authentication • Single Sign-on Authentication • SMTP Authentication for Email • SSL/TSL Compatibility for PS Web Connection, PS Data Administrator and LDAP Server • Scan Data Encryption (TCP/socket SSL Compatibility) • LDAP Authentication • Box Operator Data Encryption • Verification of Box Data Receipt • IP Address Filtering • IP v6 • Encrypted Network Password Printing • Scan-to-USB Memory with User Authentication • Print-from-USB Memory with User Authentication • S/MIME/Encryption • FIPS 140-2 Compliance • IEEE 2600.1 Security Ready • ISO 15408 |
| <p>Optional Protective Functions</p> | <ul style="list-style-type: none"> • SC-509 Copy Guard Kit • LK-116 BitDefender Antivirus • HID 5300 Finger Print Reader (Requires Advanced Authentication Manager) • AU-204H Magnetic Stripe Card Reader • AU-205H Gen2 IC Card Reader • AU-211P CAC/PIV Solution with Certificate • YSoft Konica Minolta MFX Reader Reader |



PAPER CONSIDERATIONS

PAPER SIZE CONVERSION CHART

| Paper | Letter | Letter R | Legal | Tabloid | Statement | Statement R |
|-------------|------------|------------|------------|-----------|-------------|-------------|
| Measurement | 8.5" x 11" | 11" x 8.5" | 8.5" x 14" | 11" x 17" | 5.5" x 8.5" | 8.5" x 5.5" |

PAPER WEIGHT CONVERSION CHART

| gsm | CALIPER | | | | | | | | |
|--------|---------|--------|-------|-----|-------|-------|---------|--------|-------|
| | Bond | Offset | Cover | Tag | Index | Point | Bristol | inches | mm |
| 60.20 | 16 | 40 | 22 | 37 | 33 | 3.2 | 27.4 | 0.0032 | 0.081 |
| 67.72 | 18 | 45 | 24 | 41 | 37 | 3.6 | 30.9 | 0.0036 | 0.092 |
| 75.20 | 20 | 50 | 28 | 46 | 42 | 3.8 | 34.3 | 0.0038 | 0.097 |
| 90.30 | 24 | 60 | 33 | 56 | 50 | 4.8 | 41.2 | 0.0048 | 0.120 |
| 105.35 | 28 | 70 | 39 | 64 | 58 | 5.8 | 48.1 | 0.0058 | 0.147 |
| 109.11 | 29 | 73 | 40 | 62 | 60 | 6.0 | 49.8 | 0.0060 | 0.152 |
| 116.63 | 31 | 81 | 45 | 73 | 66 | 6.1 | 53.2 | 0.0061 | 0.155 |
| 131.68 | 35 | 90 | 48 | 80 | 74 | 6.2 | 60.1 | 0.0062 | 0.157 |
| 135.45 | 36 | 90 | 50 | 82 | 75 | 6.8 | 61.8 | 0.0068 | 0.173 |
| 146.73 | 39 | 100 | 54 | 90 | 81 | 7.2 | 67.0 | 0.0072 | 0.183 |
| 150.50 | 40 | 100 | 56 | 93 | 83 | 7.3 | 68.7 | 0.0073 | 0.185 |
| 161.78 | 43 | 110 | 60 | 100 | 90 | 7.4 | 73.8 | 0.0074 | 0.188 |
| 165.55 | 44 | 110 | 61 | 02 | 92 | 7.6 | 75.5 | 0.0076 | 0.193 |
| 176.83 | 47 | 120 | 65 | 108 | 97 | 8.0 | 80.7 | 0.0078 | 0.198 |
| 199.41 | 53 | 135 | 74 | 122 | 110 | 9.0 | 91.0 | 0.0085 | 0.216 |
| 203.17 | 54 | 137 | 75 | 125 | 113 | 9.0 | 92.7 | 0.0090 | 0.229 |
| 218.22 | 58 | 146 | 80 | 134 | 120 | 9.5 | 99.6 | 0.0092 | 0.234 |
| 244.56 | 65 | 165 | 90 | 150 | 135 | 10.0 | 111.6 | 0.0095 | 0.241 |
| 252.08 | 67 | 170 | 93 | 156 | 140 | 10.5 | 115.1 | 0.0100 | 0.250 |
| 270.90 | 72 | 183 | 100 | 166 | 150 | 11.0 | 123.7 | 0.0110 | 0.289 |
| 285.95 | 76 | 192 | 105 | 175 | 158 | 13.0 | 130.5 | 0.0130 | 0.330 |
| 308.52 | 82 | 208 | 114 | 189 | 170 | 14.0 | 140.8 | 0.0140 | 0.356 |
| 312.00 | 87 | 220 | 120 | 200 | 180 | 15.0 | 142.4 | 0.0150 | 0.380 |
| 385.06 | 105 | 267 | 146 | 244 | 220 | 18.0 | 175.8 | 0.0175 | 0.445 |

PAPER TYPE SPECIFICATIONS

| | |
|-----------------------------|--|
| Thin Paper | Paper weighing between 14 lb. to 15.5 lb. bond. It can be fed via any paper tray, except the bypass tray. |
| Normal (Plain Paper) | Normal paper is used for copying in general and is called "PPC paper." Specify [Normal] for the tray to which the normal paper or the recycled paper is loaded for copying. |
| Plain Paper + | Plain Paper + is paper weighing between 24.25 lb. and 28 lb. Thick Paper 1 should be changed to 28.25 lb. to 32 lb. |
| Recycled Paper | Recycled Paper is identified as recycled paper along with a designation as to the percentage of the paper that is actually made from recycled materials. Generally speaking, these devices will support recycled paper weighing between 16 lb. to 24 lb. bond. |
| Thick Paper 1 | Thick Paper 1 is paper weighing between 28.25 lb. to 32 lb. bond. It can be fed via any paper tray. |
| Thick Paper 1+ | Thick Paper 1+ is paper weighing between 32.25 to 41.75 lb. bond. It can be fed via any paper tray. |
| Thick Paper 2 | Thick Paper 2 is paper weighing between 42 to 55.5 lb. bond. It can be fed via any paper tray. |
| Thick Paper 3 | Thick Paper 3 is paper weighing between 55.75 to 68 lb. bond. It can be fed via any paper tray. |
| Thick Paper 4 | Thick Paper 4 is paper weighing between 68.25 to 79.75 lb. bond. It can be fed via the bypass tray. |
| Special Paper | A thin or other specialty type paper that falls within the paper weight specification and appears on the Recommended Paper Stock List. |
| OHP | Specify [OHP] to a tray to which transparent films are loaded. It can be fed only via the bypass tray (20 sheets or less). Black and white printing supported only. |
| Envelopes | Specify (Envelope) for bypass tray. |
| Postcards | A Postcard is defined as a rectangular piece of thick paper or thin cardboard. This product series supports 4" x 6" size postcards. Postcards are fed only via the Bypass Tray. |
| Tab Dividers | A stiff sheet with divider tabs. Tab Divider sheets can only be fed (long edge only) via the Bypass Tray. |
| Banner Paper | An 11.75" x 47.25" paper that is fed via the Bypass Tray to create banners. |

PAPER TYPE SPECIFICATIONS CONT

| Class. | Weight | Brand of Paper | Size |
|--------------------------------|-----------------------|--|------------|
| Plain Paper – Color | | | |
| Plain Paper | 20 lb. Bond (75 gr) | Domtar Recycled Copy(30% Post Consumer) | 8.5" x 11" |
| Plain Paper | 22 lb. Bond(80 gr) | Konica Minolta CF Paper | 8.5" X 11" |
| Plain Paper | 22 lb. Bond(80 gr) | Konica Minolta CF Paper | 11" X 17" |
| Plain Paper | 22 lb. Bond(80 gr) | Konica Minolta CF Paper | 12" X 18" |
| Plain Paper | 24 lb. Bond (89 gr) | SMART Carnival Stellar White | 8.5" x 11" |
| Plain Paper | 24 lb. Bond (89 gr) | SMART Carnival White | 8.5" x 11" |
| Plain Paper | 24 lb. Bond (90 gr) | SMART Synergy Bond 25% Cotton | 8.5" x 11" |
| Plain Paper | 24 lb. Bond (90 gr) | Domtar Microprint Laser | 8.5" x 11" |
| Plain Paper | 24 lb. Bond (90 gr) | Mohawk Color Copy 98 Bright White | 8.5" x 11" |
| Thick 1 | 28 lb. Bond(105 gr) | Konica Minolta CF Paper | 8.5" X 11" |
| Thick 1 | 28 lb. Bond(105 gr) | Konica Minolta CF Paper | 11" X 17" |
| Thick 1 | 28 lb. Bond (105 gr) | Konica Minolta CF Paper | 12" X 18" |
| Thick 1 | 28 lb. Bond (105 gr) | Domtar Microprint Color Copy | 8.5" x 11" |
| Thick 1 | 32 lb. Bond(120 gr) | Hammermill Color Copy | 8.5" X 11" |
| Thick 1 | 32 lb. Bond (120 gr) | Hammermill Color Copy Paper – Photo White | 8.5" x 11" |
| Thick 2 | 60 lb. Cover(163 gr) | Hammermill Color Copy | 8.5" X 11" |
| Thick 3 | 80 lb. Cover(216 gr) | Hammermill Color Copy | 8.5" X 11" |
| Thick 4 | 100 lb. Cover(271 gr) | Hammermill Color Copy | 8.5" X 11" |
| Plain Paper – B & W | | | |
| Plain Paper | 20 lb. Bond (75 gr) | Hammermill Tidal MP | 8.5" X 11" |
| Single-Sided Glossy | | | |
| Thick 3 | 10 pt Cover (219 gr) | SMART Kromekote Laser High Gloss Coated One Side 10 pt Cover | 8.5" x 11" |
| Thick 3 | 12 pt Cover (247 gr) | SMART Kromekote Laser High Gloss Coated One Side 12 pt Cover | 8.5" x 11" |
| Double-Sided Glossy | | | |
| Thick 1 | 32 lb. Bond (120 gr) | Mohawk Color Copy Gloss Pure White | 8.5" x 11" |
| Thick 1 | 80 lb. Text (118 gr) | Sappi Opus Gloss | 8.5" x 11" |
| Thick 1 | 90 lb. Text (133 gr) | SMART Kromekote Laser High Gloss Coated Two Sides* | 8.5" x 11" |
| Thick 3 | 80 lb. Cover (216 gr) | Mohawk Color Copy Gloss Pure White | 8.5" x 11" |
| Thick 3 | 80 lb. Cover (216 gr) | Sappi Opus Gloss Cover | 8.5" x 11" |

* Paper cannot be used in a high humidity environment.

RECOMMENDED PAPER STOCKS

| Class. | Weight | Brand of Paper | Size |
|---|------------------------|---|----------------------------|
| Double-Sided Glossy continued | | | |
| Thick 3 | 80 lb. Cover (216 gr) | Domtar Microprint Coated Laser Gloss Cover | 8.5" x 11" |
| Thick 3 | 10 pt Cover (234 gr) | SMART Kromekote Laser High Gloss Coated Two Sides 10 pt Cover | 8.5" x 11" |
| Thick 3 | 90 lb. Cover (237 gr) | SMART Kromekote® Plus C2S Cover | 8.5" x 11" |
| Thick 4 | 100 lb. Cover (270 gr) | Mohawk Color Copy Gloss Pure White 100C | 8.5" x 11" |
| Cover Stock | | | |
| Thick 2 | 60 lb. Cover (163 gr) | Domtar MicroprintColor Copy Cover | 8.5" x 11" |
| Thick 2 | 65 lb. Cover (176 gr) | Domtar MicroprintColor Copy Cover | 8.5" x 11" |
| Thick 3 | 80 lb. Cover (216 gr) | Domtar Microprint Coated Laser Matte Cover | 8.5" x 11" |
| Thick 3 | 80 lb. Cover (216 gr) | Domtar Microprint Color Copy Cover | 8.5" x 11" |
| Thick 3 | 80 lb. Cover (216 gr) | SMART Carnival White Cover | 8.5" x 11" |
| Thick 3 | 140 lb. Index (255 gr) | Wausau Exact Index | 8.5" x 11" |
| Thick 3 | 80 lb. Cover (216 gr) | Mohawk Color Copy 98 Bright White | 8.5" x 11" |
| Thick 4 | 100 lb. Cover (270 gr) | Mohawk Color Copy 98 Bright White | 8.5" x 11" |
| Labels | | | |
| Avery Dennison 5889 Postcard | | | 8.5" x 11" |
| Avery Dennison 6870 (30 labels per sheet) | | | 8.5" x 11" |
| Avery Dennison 6873 (8 labels per sheet) | | | 8.5" x 11" |
| Avery Dennison 6876 (2 labels per sheet) | | | 8.5" x 11" |
| Avery 6878 4-UP labels for Color Laser | | | 8.5" x 11" |
| Envelopes | | | |
| Envelopes | 24 lb | Preservation Wove 5789 #6 3/4 | 3.85" x 6.5" (98 x 165 mm) |
| Tab Dividers | | | |
| Avery Dennison 20406 (long edge only) | | | 8.5" x 11" |
| Specialty Paper | | | |
| Thick 2 | — | TECHNI-Print 9721PO* T-shirt Transfer Paper** | 8.5" x 11" |
| Transparency | | | |
| OHP Sheets | — | 3M-PP2500 | 8.5" x 11" |
| Banner Paper | | | |
| Banner Mode/ Thick 1 | 100 lb. Text (180 gr) | Konica Minolta Banner Paper | 11.75" x 47.25" |

* Paper cannot be used in a high humidity environment.

** T-Shirt Transfer Paper: The C651i/C551i/C451i Series should not be used solely for T-shirt transfer applications. T-Shirt transfer paper should be used on a limited basis, not to exceed a 250-sheet per run maximum. If a misfeed should occur, clear it immediately (due to the odor) and then run 15-25 sheets of regular plain paper (20 lb) through the device to clean the fusing rollers. T-Shirt Transfer paper cannot be used in high humidity environments.

IM-103 DETECTABLE PAPER TYPES

| Paper Type | Paper Weight |
|--------------------------------|--|
| Thin paper | 13-13/16 lb to 15-11/16 lb (52 g/m ² to 59 g/m ²) |
| Plain paper | 15-15/16 lb to 23-15/16 lb |
| Recycled paper | (60 g/m ² to 90 g/m ²) |
| Colored paper | |
| Plain paper+ | 24-3/16 lb to 27-15/16 lb (91 g/m ² to 105 g/m ²) |
| Thick 1 | 28-3/16 lb to 31-15/16 lb (106 g/m ² to 120 g/m ²) |
| Thick 1+ | 32-3/16 lb to 41-3/4 lb (121 g/m ² to 157 g/m ²) |
| Thick 2 | 42 lb to 55-5/8 lb (158 g/m ² to 209 g/m ²) |
| Thick 3 | 55-7/8 lb to 68-1/8 lb (210 g/m ² to 256 g/m ²) |
| Transparency | — |
| Envelope | — |
| Thick 4 | 68-3/8 lb to 79-13/16 lb (257 g/m ² to 300 g/m ²) |
| User Paper 7 (Coated paper) | 42 lb to 55-5/8 lb 158 g/m ² to 209 g/m ²) |





HOW TO BUILD A SYSTEM FOR THE bizhub C651i/C551i/C451i DIGITAL PRINTER/COPIER/SCANNER/FAX (FROM START TO FINISH)

STEP 1: BASE UNIT

- C651i/C551i/C451i Digital Printer/Copier/Scanner includes PS, PCL & XPS Controller, 8GB Standard Memory, Dual Scan Document Feeder, Duplex Unit, 250GB SSD, Web Browser, USB Interfaces for Scan-to-USB Thumb Drive/Print-from-USB Thumb Drive, USB Local Printing, Optional Authentication Device Connection, Service USB Firmware Updates, CMYK Developer Units, Color Drum Units and Black Drum Unit
- IM-103 Intelligent Media Sensor Standard on C651i/C551i/C451i

STEP 2: DOCUMENT HANDLING

- Single Pass Dual Scan Document Feeder (Standard/Pre-installation)
- UK-501 Multi-Feed Detection Kit (Standard)

STEP 3: PAPER SUPPLY/CABINET OPTIONS (SELECT ONE OF THE FOLLOWING)

- PC-417 Large Capacity Cassette (2,500 sheets-Letter of 5.35" x 8.5")
- PC-416 Large Capacity Cassette (2,500 sheets - Letter crosswise only)
- PC-216 2-way Paper Feed Cassette (Two 500- sheet Universal Cassettes)
- PC-116 Paper Feed Cassette (One 500- sheet Universal Cassette; Includes 1 storage drawer)
- DK-516 Copy Desk (Storage Drawer Only)

- LU-207 Large Capacity Unit (Not required)(2,500 sheets accommodating 8.5" x 11", 8.5" x 14", 11" x 17", 12" x 18" or SRA3)
- LU-302 Large Capacity Unit (Not required) (3,000 sheets/letter only)

STEP 4: OUTPUT OPTIONS (MUST SELECT ONE OF THE FOLLOWING):

- OT-513 Output Tray (Required if a finisher is not attached)
- FS-539 Staple Finisher (50 Sheets)
- RU-513 Relay Unit (Required to install FS-539/SD)
- PK-524 Punch Kit
- FS-539SD Staple Finisher (50 Sheets) + Saddle Stitcher Kit
- RU-513 Relay Unit (Required to install FS-539/SD)
- PK-524 Punch Kit

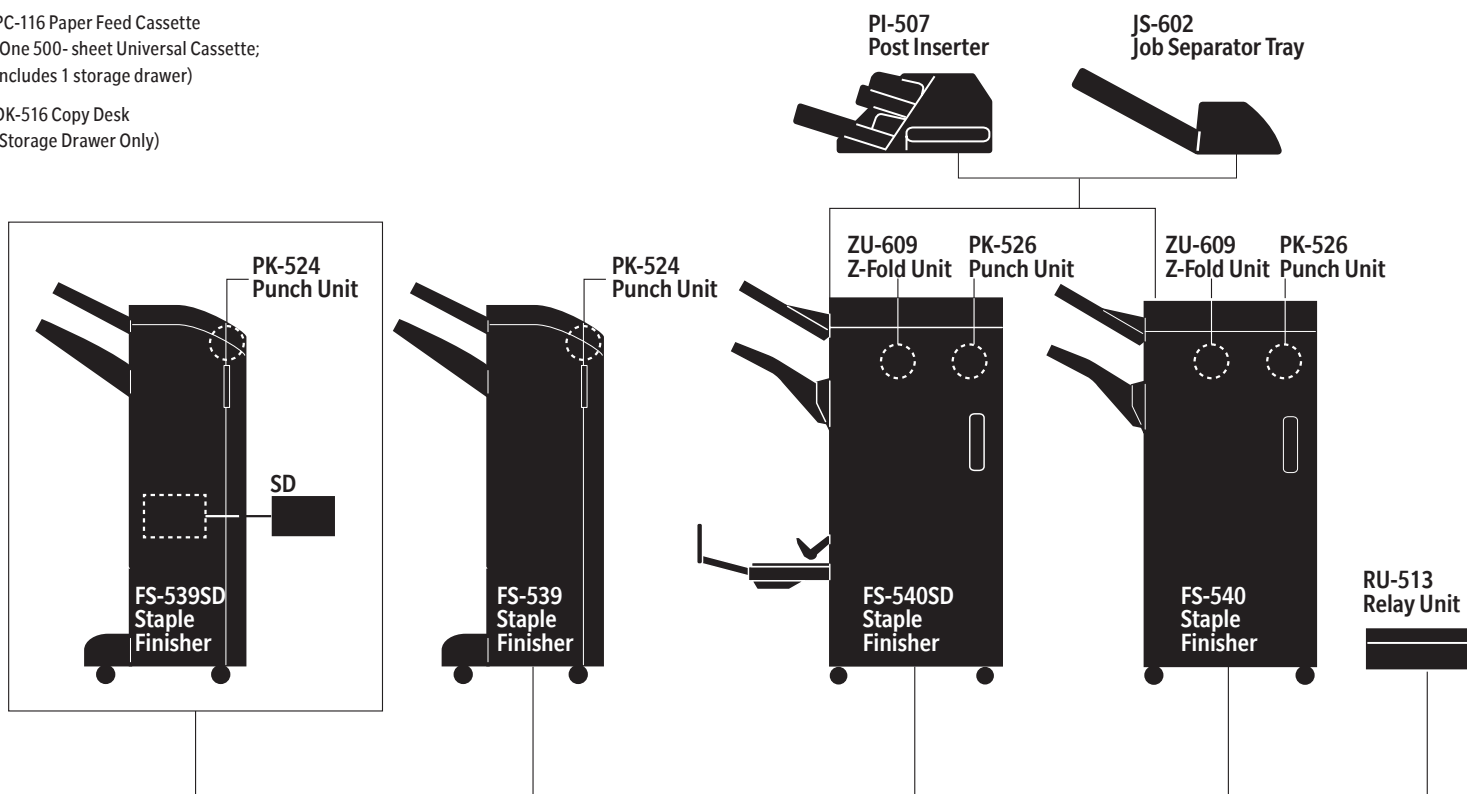
- FS-533 Inner Finisher (50-sheet stapling) (C551i/C451i only)
- PK-519 Punch Kit (for FS-533)
- MK-607 Fan Kit (required to install FS-533 on C551i and C451i)
- FS-540 Staple Finisher(100 Sheets) (RU-513 Relay Unit Required to install FS-540/SD)
- JS-602 Job Separator Tray
- PI-507 Post Inserter
- PK-526 Punch Kit
- ZU-609 Z-Fold Unit
- FS-540SD Staple Finisher (100 Sheets) + Saddle Stitcher Kit
- RU-513 Relay Unit (Required to install FS-539/SD)
- JS-602 Job Separator Tray
- PI-507 Post Inserter
- PK-526 Punch Kit
- ZU-609 Z-Fold Unit
- FS-P04 Off-line Stapler

STEP 5: ANALOG FAX OPTIONS

- FK-514 Fax Kit (Lines 1 & 2)
- FK-515 Fax Kit (Lines 3 & 4) (Requires one MK-742 Mount Kit)
- MK-742 Mount Kit (Required to add FK-515 Fax Kit(s) for Lines 3 & 4)
- SP-501 Stamp Unit (Installed in Standard Document Feeder)
- Spare TX Marker Stamp 2

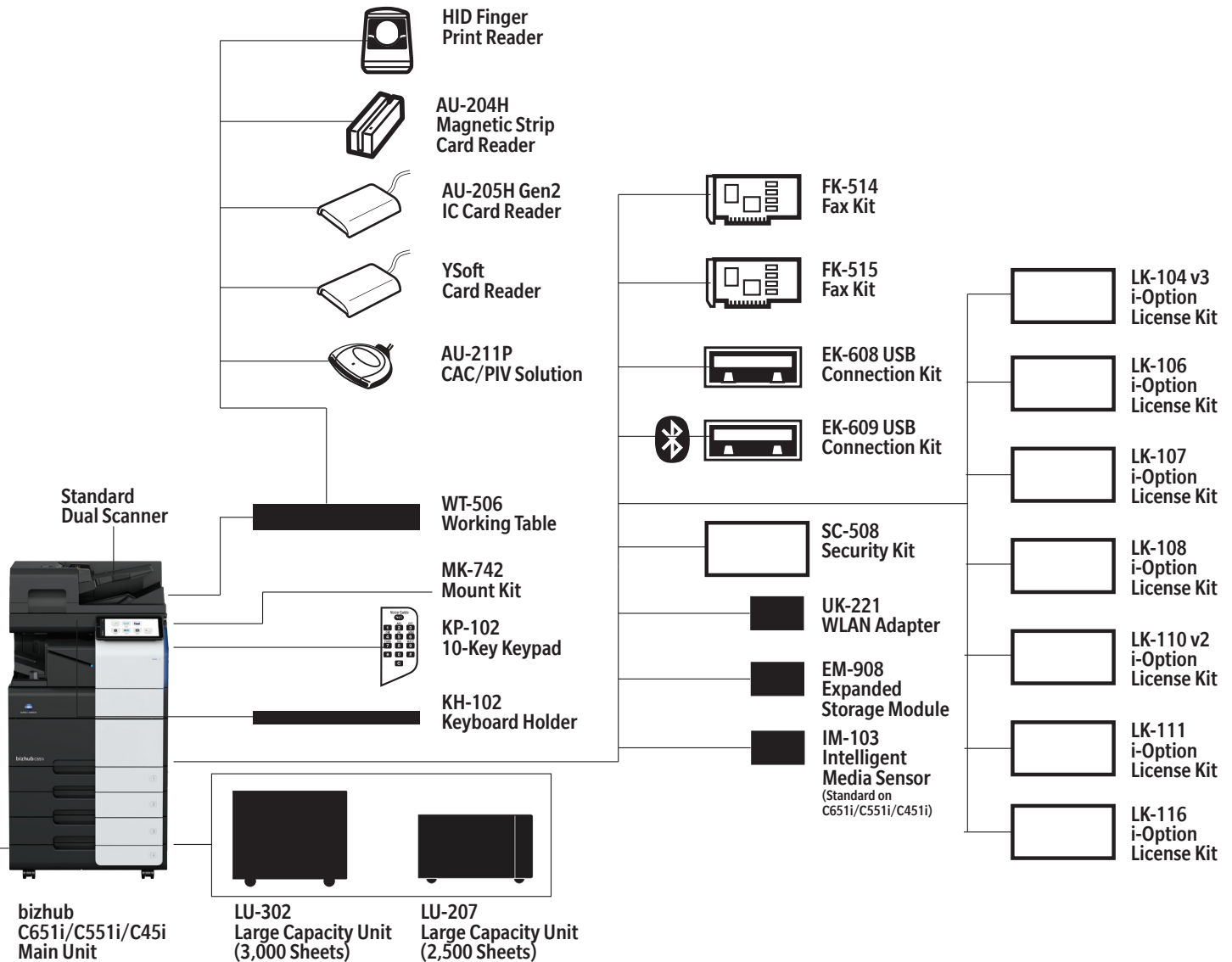
STEP 6: CONTROLLER OPTIONS

- Standard Emperon™ Controller (PCL/PS/XPS)
- IC-420 Fiery Image Controller
- VI-516 Interface Kit (Required for IC-420)
- UK-115 Fiery Controller Mount Kit (Required for C551i and C451i when installing IC-420/VI-510)



STEP 7: ADDITIONAL OPTIONS

- HID Finger Print Reader 5300 (Requires WT-506 Working Table)
- YSoft MFX Card Reader (Requires WT-506 Working Table or MK-735 Mount Kit)
- AU-204H Magnetic Stripe Card Reader (Requires WT-506 Working Table)
- AU-205H GEN2 IC Card Reader (Requires WT-506 Working Table or MK-735 Mount Kit)
- AU-211 PCAC/PIV Solution (Requires WT-506 Working Table)
- EK-608 USB Connection Kit (Adds USB 2.0 for External Keyboard and/or Voice Guidance)
- EK-609 USB Connection Kit (Adds USB 2.0 for External Keyboard, Bluetooth® connectivity and/or Voice Guidance)
- External Keyboard (Requires KH-102)
- KH-102 Keyboard Holder
- IM-103 Intelligent Media Sensor (Std. on C651i/C551i/C451i)
- LK-104 v3 i-Option License Kit (Voice Guidance; Requires EK-608or EK-609)
- LK-106 i-Option License Kit (Bar Code Font Printing)
- LK-107 i-Option License Kit (Unicode Font Printing)
- LK-108 i-Option License Kit (OCR Font Printing)
- LK-110 v2 i-Option License Kit (OOXML file conversion and searchable PDF)
- LK-111 i-Option License Kit (ThinPrint Client Support)
- LK-116 i-Option License Kit (BitDefender® Anti-Virus)
- MK-735 Mount Kit (for AU-205H)
- SC-509 Copy Guard Kit (Copy Guard/ Password Copy Protection, 2 Kits required per device)
- UK-221 WLAN Adapter
- WT-506 Working Table



ACCESSORY OPTIONS FOR bizhub C651i/C551i/C451i DIGITAL PRINTER/COPIER/SCANNER/FAX

| ACCESSORIES | ITEM NO. | DESCRIPTION | NOTES |
|-------------------------------------|----------|--|---|
| BASE UNIT | | | |
| C651i | ADXE011 | C651i Color Printer/Copier/Scanner | Includes PS, PCL & XPS Controller, Standard Web Browser, 8 GB Standard Memory, Duplex Unit, Intelligent Media Sensor, 256 GB SSD, USB Interfaces for Scan-to-USB Thumb Drive/Print-from-USB Thumb Drive, USB Local Printing, Optional Authentication Device Connection, Service USB Firmware Updates, CMYK Developer Units, Color Drum Units and Black Drum Unit. |
| C551i | ADXF011 | C551i Color Printer/Copier/Scanner | Includes PS, PCL & XPS Controller, Standard Web Browser, 8 GB Standard Memory, Duplex Unit, Intelligent Media Sensor, 256 GB SSD, USB Interfaces for Scan-to-USB Thumb Drive/Print-from-USB Thumb Drive, USB Local Printing, Optional Authentication Device Connection, Service USB Firmware Updates, CMYK Developer Units, Color Drum Units and Black Drum Unit. |
| C451i | ADXG011 | C451i Color Printer/Copier/Scanner | Includes PS, PCL & XPS Controller, Standard Web Browser, 8 GB Standard Memory, Duplex Unit, Intelligent Media Sensor, 256 GB SSD, USB Interfaces for Scan-to-USB Thumb Drive/Print-from-USB Thumb Drive, USB Local Printing, Optional Authentication Device Connection, Service USB Firmware Updates, CMYK Developer Units, Color Drum Units and Black Drum Unit. |
| DOCUMET HANDLING OPTION | | | |
| | Standard | Dual Scan Document Feeder | Storage Drawer Only |
| PAPER SUPPLY/CABINET OPTIONS | | | |
| DK-516 | 135700 | Copy Desk | Large Capacity Cassette housing 8.5" x 11", 11" x 17", 12" x 18" or 8.5" x 14" paper |
| LU-207 | A9EFW12 | Large Capacity Unit (2,500 sheets) | Large Capacity Cassette housing 8.5" x 11", 11" x 17", 12" x 18" or 8.5" x 14" paper |
| LU-302 | A87VW12 | Large Capacity Unit (3,000 sheets) | Large Capacity Cassette housing 8.5" x 11" paper |
| PC-417 | AAV5016 | Large Capacity Cassette (2,500 sheets) | 2,500 sheets; Letter-size (portrait) or 5.5" x 8.5" paper |
| PC-416 | AAV5013 | Large Capacity Cassette (2,500 sheets) | 2,500 sheets; Letter-Size (Portrait) Paper only |
| PC-216 | AAV5WY2 | 2-way Paper Feed Cabinet | Two 500-sheet Universal Paper Cassettes |
| PC-116 | AAV5WY1 | Paper Feed Cabinet | One 500-sheet Universal Paper Cassette and Storage Drawer |
| OUTPUT OPTIONS | | | |
| CS-2 | EH91539 | Convenience Stapler | |
| FS-533 | A2YUWY2 | Inner Finisher | 50-sheet Inner Staple Finisher required to support PK-519 Punch Kit. Supports banner printing. Requires MK-607 for installation on C551i or C451i. Not compatible with C651i. |
| FS-539 | AAR4WY3 | Floor Finisher | 50-sheet floor finisher required to support PK-524 Punch Kit. Supports banner printing. RU-513 required. Includes off-line staple function. |
| FS-539SD | AAR4WYE | Floor Finisher + Saddle Stitcher Unit | 50-sheet floor finisher equipped with Saddle Stitcher that provides center-stapled and folded booklets (up to 20-page booklet(s), half-fold and tri-fold (for letter-size paper only); Supports banner paper. Includes off-line staple function |
| FS-540 | AAR5WY1 | Staple Finisher (100 sheets) | 100 sheet staple finisher; supports JS-602, PK-526, PI-507, and ZU-609. Supports banner printing. Please note JS-602 and PI-507 cannot be installed together. RU-513 required. Includes off-line staple function. |
| FS-540SD | AAR5WYA | Floor Finisher + Saddle Stitcher Unit | 100-sheet floor finisher equipped with Saddle Stitcher that provides center-stapled and folded booklets (up to 20-page booklets) half-fold and tri-fold (for letter-size paper only). Supports banner paper. RU-513 required. Includes off-line staple function. |
| FS-P04 | ACCGWY2 | Offline Stapler | |
| JS-508 | A2YVWY2 | Job Separator Tray | Separates print, copy and fax jobs; can be installed if finisher is not attached; supports banner printing. Not compatible with C651i |
| JS-602 | A10CWY2 | Job Separator Tray | Adds 3 rd tray to FS-540/FS-540SD to enable separating print, copy, and fax output. Cannot be installed with PI-507. |
| MK-607 | ACW5WY1 | Fan Kit for FS-533 | Required to install FS-533 on C551i or C451i. |
| OT-513 | ACV0WY2 | Output Tray | Exit tray; must be installed if no finisher is attached. |
| PI-507 | A8C6WY3 | Post Inserter | For cover insert sheets and manual finishing for FS-540/FS540SD. Cannot be installed with JS-602. |
| PK-519 | A3EUW12 | 2/3-hole Punch Kit for FS-533 | 2/3-hole Punch Kit for FS-533 (bizhub C551i/C451i only) |
| PK-524 | AC28W11 | 2/3-hole Punch Kit for FS-539 | 2/3-hole Punch Kit for FS-539 and FS-539SD. |
| PK-526 | ACF5W11 | 2/3-hole Punch Kit for FS-540 | 2/3-hole Punch Kit for FS-540/FS-540SD. |
| RU-513 | A87JWY5 | Relay Unit | Required for FS-539, FS-539SD, FS-540 and FS-540SD. |
| ZU-609 | A63GWY2 | Z-Fold Unit | Adds Z-fold functionality to FS-540/FS-540SD. |

ACCESSORY OPTIONS FOR bizhub C651i/C551i/C451i DIGITAL PRINTER/COPIER/SCANNER/FAX CONT

| ACCESSORIES | ITEM NO. | DESCRIPTION | NOTES |
|---------------------------|--------------------|---|---|
| ANALOG FAX OPTION | | | |
| FK-514 | A883012 | Fax Kit for Lines 1 & 2 | Supports single line fax capabilities; Add second FK-514 Fax Kit for dual line fax capabilities. |
| FK-515 | A884W11 | Fax Kit for Lines 3 & 4 | Supports third and fourth fax line capabilities; Must have two (2) FK-514 Fax Kits for 1 st and 2 nd Fax Lines; Add one FK-515 Fax Kit(s) for Line 3 and a second FK-515 for line 4. One MK-742 Mount Kit required. |
| MK-742 | A886WY1 | FK-515 Fax Mount Kit | Mount Kit required to add FK-515 Fax Kit(s) or Line 3 and Line 4 fax support. Only one MK-742 Mount Kit required. |
| SP-501 | 4614506 | Stamp Unit | Installed on DSDF |
| Spare Fax Stamp | 4614511 | Spare TX Marker Stamp 2 | Installed on DSDF |
| CONTROLLER OPTIONS | | | |
| IC-420 | ACDEWY2 | Fiery Image Controller | Fiery Image Controller. |
| UK-115 | ACDFWY1 | Fiery Image Controller Mount Kit | Required to install IC-420 on C551i, C451i, C360i, C300i, or C250i. Hardware only. |
| VI-516 | ACDHWY1 | Fiery Controller Interface | Interface Kit required for IC-420 Fiery Image Controller. |
| ES-3000 | 45202146 | Spectrophotometer | Provides color measurement for calibration of IC-420. Hardware only. |
| ADDITIONAL OPTIONS | | | |
| HID5300 | 50019001102KM | HID5300 Finger Print Reader | Scans finger vein patterns to enable users to gain access to the device. Requires WT-506 Working Table. |
| AU-204H | 7640013468 | Magnetic Stripe Card Reader | Allows authorized access to the MFP using Magnetic Stripe Cards. Requires WT-506 Working Table. |
| AU-205H | R5427011136466GEN2 | IC Card Reader | Allows access to the MFP via HID Proximity Cards. Working table recommended. Supports IC card types. |
| AU-211P | — | CAC/PIV Solution with Certificate | Requires WT-506 or WT-519 Working Table. Contact your local Government Account Manager for information. |
| EK-608 | A88AWY2 | Local USB Interface Kit | Required to connect optional external keyboard, and supports Voice Guidance functions available with optional LK-104 v3. |
| EK-609 | A87DWY2 | Local USB Interface Kit | Required to connect optional external keyboard, provides Bluetooth connectivity support for mobile phone link and supports Voice Guidance functions available with optional LK-104 v3. |
| EM-908 | ACDJWY1 | Solid State Drive | Provides additional 1 TB storage. |
| IM-103 | AEEWY1 | Paper Type Detection Kit | Sensor detects correct paper type automatically. |
| LK-104v3 | A0PD017 | i-Option License Kit | Provides Voice Guidance functionality. Requires EK-608 or EK-609. |
| LK-106 | A0PD019 | i-Option License Kit | Provides Bar Code Font printing support. |
| LK-107 | A0PD01F | i-Option License Kit | Provides Unicode Font printing support. |
| LK-108 | A0PD11G | i-Option License Kit | Provides OCR Font printing support. |
| LK-110 v2 | A0PD11U | i-Option License Kit | OOXML file conversion and Searchable PDF |
| LK-111 | A0PD01K | i-Option License Kit | Provides ThinPrint client support. |
| LK-116 | A0PDA11 | i-Option License Kit | BitDefender® antivirus provides real time scanning of all incoming and outgoing data. |
| MK-730 | A4MEWY2 | Banner Paper Guide | Enables automatic feeding of banner paper. Up to 10 banner sheets supported. |
| MK-735 | A4NMWY1 | Mount Kit | Internal Mount Kit for AU-205H. Required if these card readers are not mounted externally using the WT-506. |
| External Keyboard | G844100LCMUS2 | External Keyboard | Computer type keyboard for alphanumeric data entry (alternative to the standard QWERTY keyboard available on the MFP's LCD). Either EK-608 or EK-609 recommended. |
| KH-102 | A4NRWY3 | Keyboard Holder | Holds the optional QWERTY keyboard in place on the MFP. |
| KP-102 | AACJWY1 | 10-Key Pad | Optional 10 Key Pad. Supports Voice Guidance function available with optional LJ-104 v3 i-Option License Kit. Affixes to the right-hand side of the control panel. |
| SC-509 | ACDKWY1 | Copy Guard Kit (Copy Guard/Password Copy Protection) | Detects documents with Copy Protect patterns applied. Gives users the option to prevent copying sensitive documents or allows copying when password is entered. Dual Scan models require two SC-509 Security Kits. |
| UK-221 | ACDMWY2 | Wireless LAN Upgrade Kit | Provides wireless secure connection for printing, scanning and Authentication. |
| WT-506 | A0W4WY4 | Working Table | Required for AU-205H Gen2 or YSoft Card Reader (if not mounted via MK-735); Biometric Authentication Unit/AAM (Advanced Authentication Manager) requires WT-506 Working Table. |
| YSOFT | YSQBK0030741E | YSOFT KM MFX READER 1DEV (4000+) | |
| Key Counter Mount Kit | 4623486 | Key Counter Mount Kit 1 for Hecon Conventional Counter | |

ACCESSORY OPTIONS FOR bizhub C651i/C551i/C451i DIGITAL PRINTER/COPIER/SCANNER/FAX CON'T

Consumable Yields*

*Based on 5% total coverage

| CONSUMABLE | ITEM NO. | YIELD |
|--|------------|---|
| DV-621K Developing Unit - Black | ACV803D | 1,000,000 |
| DV-621C Developing Unit - Cyan | ACV80KD | 1,000,000 |
| DV-621M Developing Unit - Magenta | ACV80ED | 1,000,000 |
| DV-621Y Developing Unit - Yellow | ACV808D | 1,000,000 |
| DR-618 Drum - Cyan/Magenta/Yellow | ACV80TD | (C651i) 165,000 (C551i) 160,000 (C451i) 155,000 |
| DR-618K Drum - Black | ACV80RD | 240,000 |
| TN-626K Toner - Black | AAV1130 | 28,000 |
| TN-626C Toner - Cyan | AAV1430 | 28,000 |
| TN-626M Toner - Magenta | AAV1330 | 28,000 |
| TN-626Y Toner - Yellow | AAV1230 | 28,000 |
| Waste Toner Box | AAVA0Y1 | 44,000 |
| C651i/C551i Fusing Unit | AA7NR70200 | 1,000,000 |
| C451i Fusing Unit | AA7RR70700 | 1,000,000 |
| Intermediate Image Transfer Kit | AA2JR73100 | 330,000 |
| Staples SK-602 (For FS-539, FS-539SD, FS-533, and Saddle Stitch Section of FS-540SD) | 14YK | 5,000 x 3 pkg/case |
| Staples SK-704 (For FS-540, FS-540SD, except Saddle Stitch Section) | ACFRWY1 | 5,000 x 3 pkg/case |



For complete information on Konica Minolta products and solutions,
please visit: [CountOnKonicaMinolta.com](https://www.CountOnKonicaMinolta.com)

© 2024 KONICA MINOLTA BUSINESS SOLUTIONS U.S.A., INC. All rights reserved. Reproduction in whole or in part without written permission is prohibited. KONICA MINOLTA, the KONICA MINOLTA logo and bizhub are registered trademarks or trademarks of KONICA MINOLTA, INC. All other product and brand names are trademarks or registered trademarks of their respective companies or organizations. All features and functions described here may not be available on some products. Design & specifications are subject to change without notice.



KONICA MINOLTA

KONICA MINOLTA BUSINESS SOLUTIONS U.S.A., INC.
100 Williams Drive, Ramsey, New Jersey 07446

[CountOnKonicaMinolta.com](https://www.CountOnKonicaMinolta.com)



Item #: C651ISERIESSIG
6/2024-Z